

MECHANICAL DRAWING

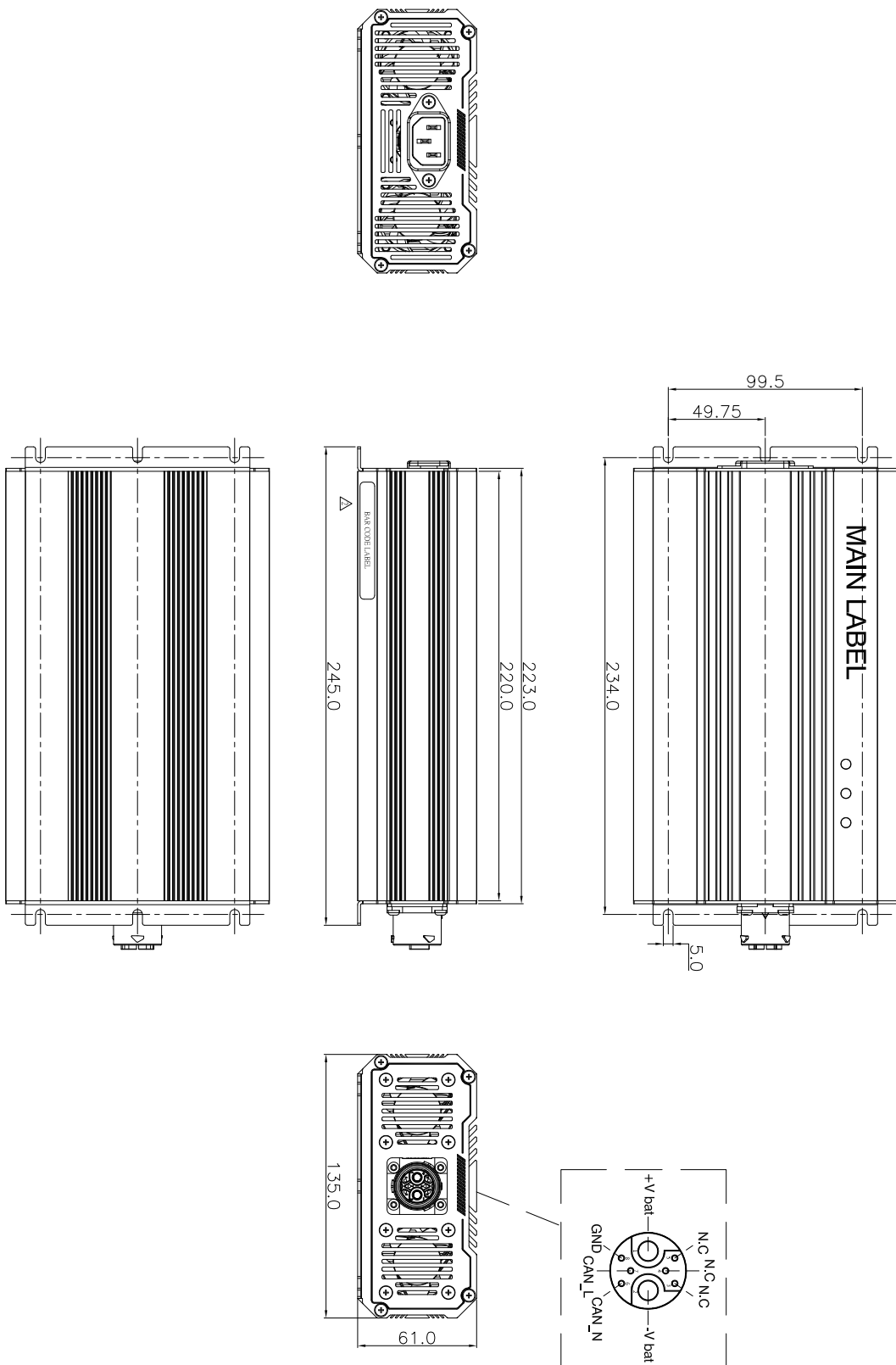


OAD-00012708

FSP600-1PCH01F-C,(F660001)

Date:2025-01-14 19:07

01	初版	2024.07.09
02	增加BARCODE黏貼位置	2025.01.14

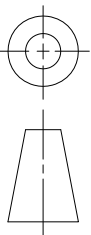


SCALE:
UNIT: mm

DIMENSIONAL TOLERANCES

(V)	()	()	()	()	()
<30	:±0.25	DECIMALS	UP~100 :±0.2	250~300:±0.4	UP~100 :±1.0
>30~100	:±0.35	X	100~150:±0.25	300~350:±0.45	100~600 :±1.5
>100~300	:±0.5	X.X	150~200:±0.3	350~OVER:±0.5	600~900 :±2.4
ABOVE 300	:±0.6	X.XX:±0.1	200~250:±0.35		900~OVER :±3.1

HOLES : ±0.2 ANGLES : ±0.5°



THIRD ANGLE PROJECTION

P/N.: 9GB6001501

MODEL NO. : FSP600-1PQH01F-C1(F660001)		TITLE: ASSY	
R&D	P E	DRAWN	DATE
INTERIOR COUNTERSIGN:			2025.01.14
			SHEET: 1 OF 1 REV: 02