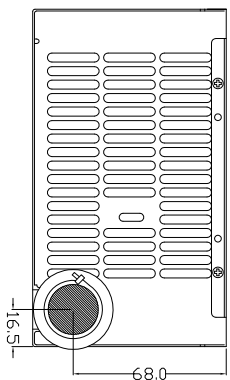
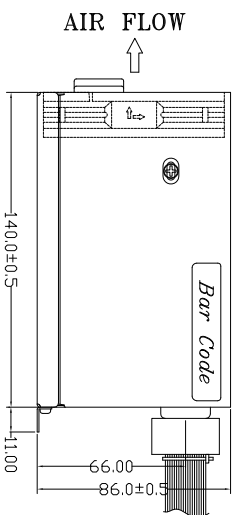
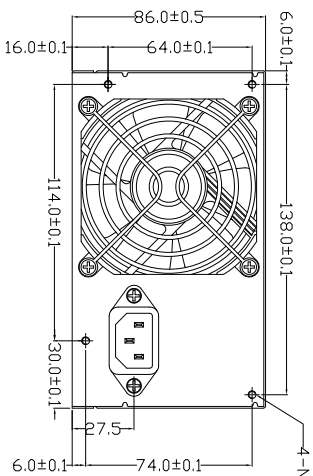
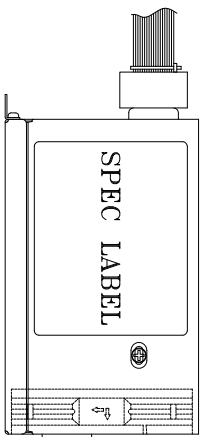
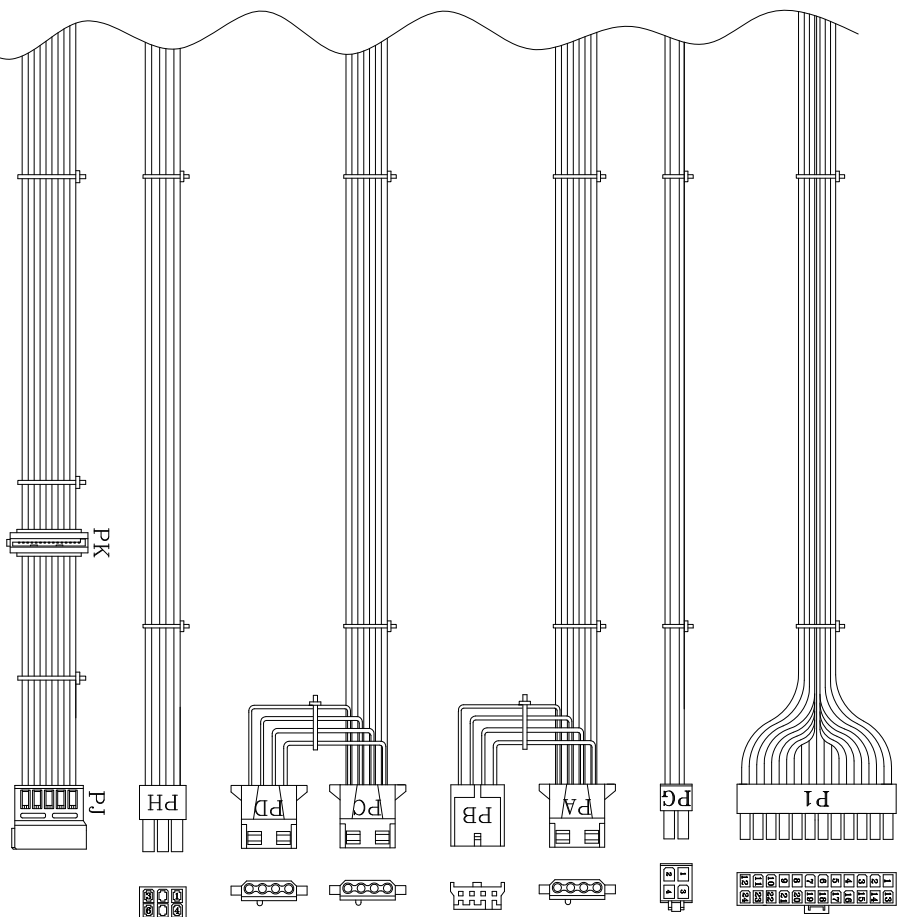
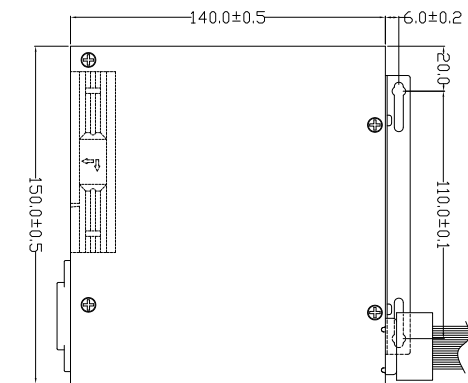


REF. ID.	PIN NO.	SIGNAL	WIRE COLOR	GAUGE	CONNECTOR TYPE	CABLE LENGTH
P1	1	+3.3VDC	ORANGE	18	MOLEX 39-01-2240 or BQJIV.	500±15mm
	2	+3.3VDC	ORANGE	18		
	3	COM	BLACK	18		
	4	+5VDC	RED	18		
	5	COM	BLACK	18		
	6	+5VDC	RED	18		
	7	COM	BLACK	18		
	8	PW-ON	GRAY	18		
	9	+5Vsb	PURPLE	18		
	10	+12V1	YELLOW	18		
	11	+12V1	YELLOW	18		
	12	+3.3VDC	ORANGE	18		
P1	13	+3.3VDC	ORANGE	18	MOLEX 39-01-2040 or BQJIV.	500±15mm
	14	+3.3VDC	BROWN	22		
	14	-12VDC	BLUE	18		
	15	COM	BLACK	18		
	16	PS-ON	GREEN	18		
	17	COM	BLACK	18		
	18	COM	BLACK	18		
	19	COM	BLACK	18		
	20	-5VDC	WHITE	18		
	21	+5VDC	RED	18		
	22	+5VDC	RED	18		
	23	+5VDC	RED	18		
24	COM	BLACK	18			
PG	1	COM	BLACK	18	MOLEX 39-01-2040 or BQJIV.	500±15mm
	2	COM	BLACK	18		
PA	1	+12V1	YEL/BLACK	18	AMP 1-480424-0 or EQUIV.	500±15mm
	2	COM	BLACK	18		
PC	1	+12V1	YEL/BLACK	18	AMP 1-480424-0 or EQUIV.	500±15mm
	2	COM	BLACK	18		
PD	1	+12V1	YELLOW	18	AMP 1-480424-0 or EQUIV.	200±10mm
	2	COM	BLACK	18		
PB	1	+12V1	YELLOW	18	AMP 171822-4 or EQUIV.	200±10mm
	2	COM	BLACK	22		
PH	1	+5V	RED	22	C4202H00-2*9PA-RP or BQJIV	500±15mm
	2	+12V2	Yel/Black	18		
PJ	1	+12V2	Yel/Black	18	CU1270H00-15P	200±10mm
	2	COM	BLACK	18		
PK	1	+12V1	YELLOW	18	CU1271HS0-15P	500±15mm
	2	COM	BLACK	18		
PK	3	+5V	RED	18	CU1271HS0-15P	500±15mm
	4	COM	BLACK	18		
PK	4	+3.3VDC	ORANGE	18	CU1271HS0-15P	500±15mm
	5	+3.3VDC	ORANGE	18		



取消小標



P/N.:9PA5001500

NOTE:

1. ALL THE LENGTH OF OUTPUT WIRES EXCLUDE HOUSING.
2. 產地標籤依業務指示加貼.

UNIT:mm

MODEL NO. : FSP500-70MP	TITLE: ASSY	SHEET: 1 OF 1	REV:02
R&D	PE	DRAWN	DATE
INTERIOR COUNTERSIGN:			Dec.28.2012
			樂家龍