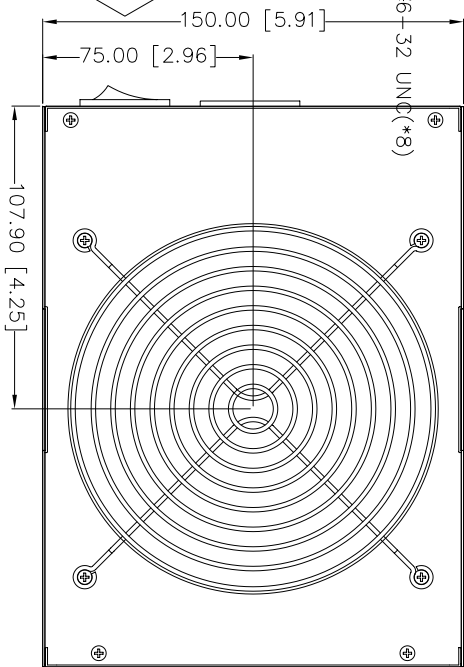
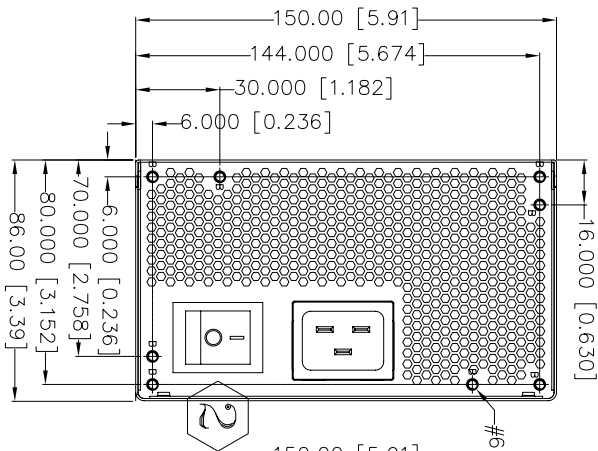
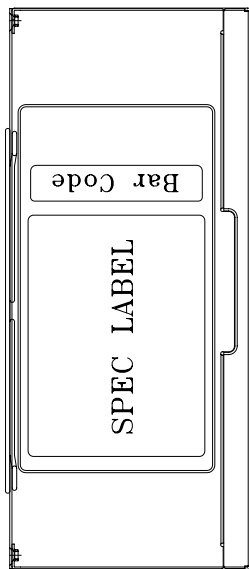
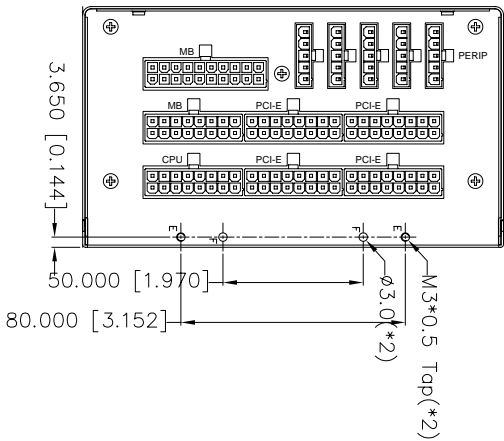


# MECHANICAL DRAWING



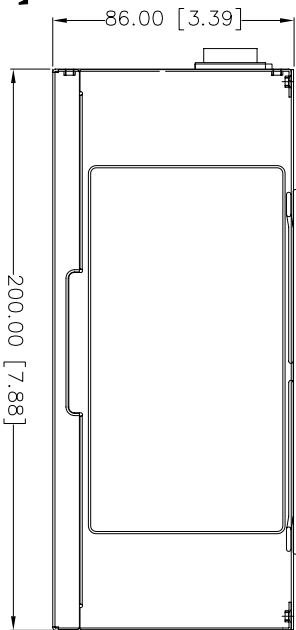


AIR FLOW



NOTE:

1. ALL THE LENGTH OF OUTPUT WIRES EXCLUDE HOUSING.
2. 公差: .XX=±0.5 [0.02]、.XXX=±0.25 [0.01]

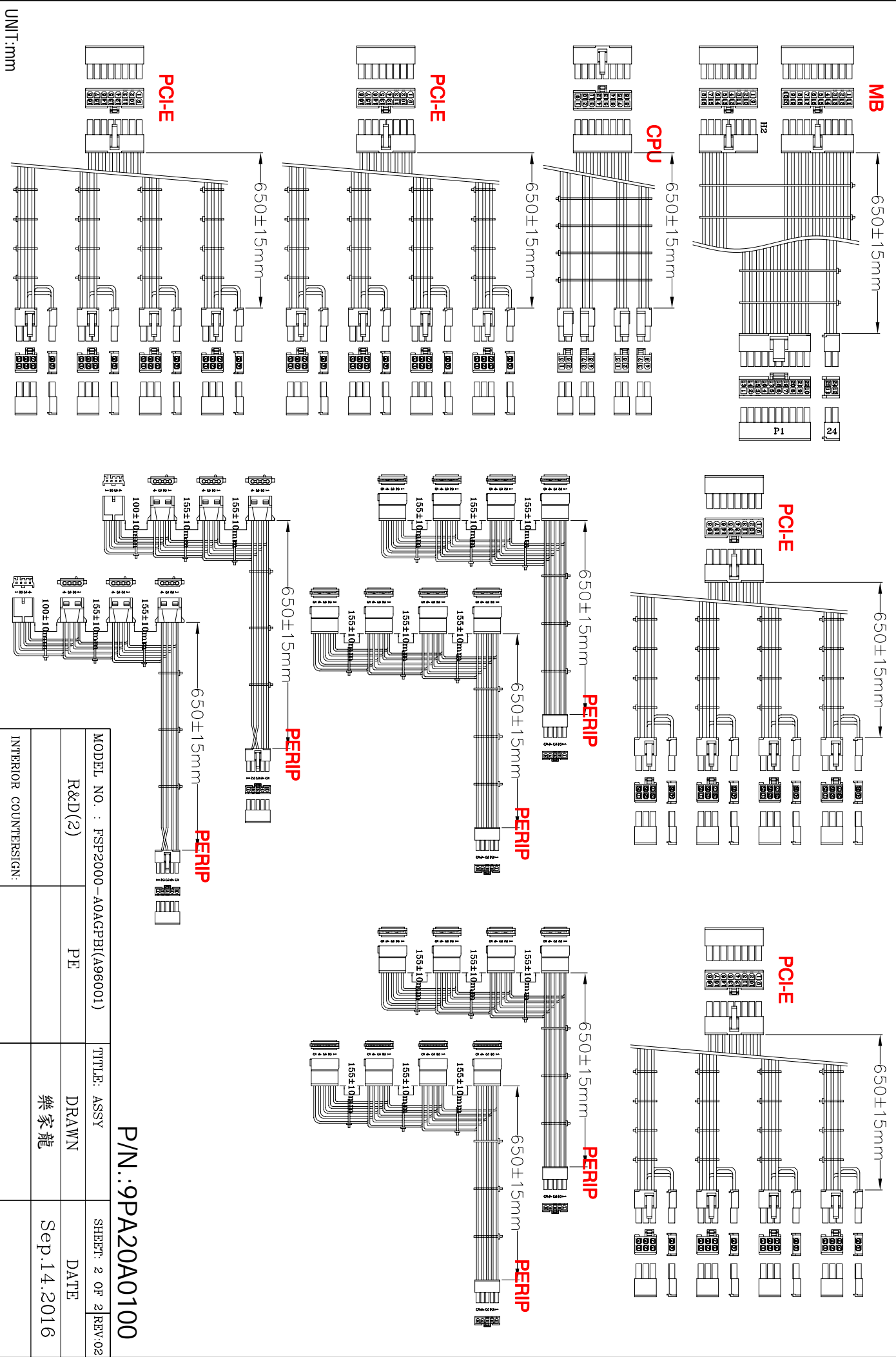


INLET & IO位置修改  
線材長度變更

P/N.:9PA20A0100

UNIT:mm

MODEL NO. : FSP2000-A0AGPBI(A96001)	TITLE: ASSY	SHEET: 1 OF 2	REV:02
R&D(2)	PE	DRAWN	DATE
INTERIOR COUNTERSIGN:		樂家龍	Sep.14.2016



P/N.:9PA20A0100

MODEL NO. : FSP2000-ADAGPBI(A96001)	TITLE: ASSY	SHEET: 2 OF 2	REV:02
R&D(2)	PE	DRAWN	DATE
INTERIOR COUNTERSIGN:		樂家龍	Sep.14.2016