

電氣規格書



ESD15048561-R2

FSP1200-20ERM

Released Date:2017/10/16-02:54:12



SPECIFICATION

FSP1200-20ERM

1200W Redundant Power Supply Module

Dec.12.2016



TABLE OF CONTENTS

1. REVISION LOG.....	7
2. GENERAL SCOPE.....	8
2.1 Mechanical Overview.....	8
2.2 LED Marking and Identification.....	9
2.3 Environmental Requirements.....	9
2.3.1 Temperature and Humidity Requirements	9
2.3.2 Altitude Requirements	9
3. ELECTRICAL PERFORMANCE.....	10
3.1 AC power Input Specification	10
3.1.1 AC Inlet connector.....	10
3.1.2 Input voltage and frequency specification	10
3.1.3 HVDC Input voltage.....	10
3.1.4 Input current	10
3.1.5 AC Line Fuse	11
3.1.6 AC line inrush	11
3.1.7 Input Power Factor Correction.....	11
3.1.8 AC line dropout.....	11
3.1.9 Efficiency	11
3.1.10 Susceptibility Requirements.....	12
3.1.11 Power Recovery.....	13
3.1.12 Voltage Brown Out	13
3.1.13 AC Line Leakage Current	13
3.2 DC output voltages.....	14
3.2.1 Grounding	14
3.2.2 Output rating	14
3.2.3 Auxiliary Output (Standby)	14

3.2.4	No load operation	14
3.2.5	Voltage Set Point	14
3.2.6	Voltage Regulation	14
3.2.7	Ripple and Noise Regulation	15
3.2.8	Dynamic loading	15
3.2.9	Capacitive load.....	15
3.2.10	Maximum load change.....	15
3.2.11	Close loop stability	15
3.2.12	Residual Voltage Immunity in Standby mode.....	16
3.2.13	Soft starting	16
3.2.14	Hot Swap Requirements	16
3.2.15	Load sharing control.....	16
3.3	Timing Requirements	17
3.3.1	Output Voltage Timing.....	17
3.3.2	Overshoot.....	18
3.3.3	Undershoot.....	18
3.3.4	Temperature coefficient	18
3.4	Control and Indicator functions	18
3.4.1	PSON [#] Input Signal (Power supply enable)	18
3.4.2	Power OK (PG or PWOK) Output Signal	18
3.4.3	SMBAlert [#] (PSAlert) Output Signal Pin	19
3.4.4	A0	19
3.4.5	A1	20
3.4.6	12V _{RS} and Return Sense	20
3.4.7	Present.....	20
3.4.8	SDA and SCL.....	20
4.	PROTECTION CIRCUITS	21
4.1	Over Voltage Protection (OVP_{main} & $OVP_{auxiliary AR}$).....	21
4.2	Over Current and Short Circuit Protection (OCP/SCP_{main} & $OCP/SCP_{auxiliary AR}$)	21
4.3	Over Temperature Protection (OTP_{AR}).....	23
4.4	Fan Failure Protection _{AR}	23
5.	POWER SUPPLY MANAGEMENT.....	24
5.1	Hardware Layer.....	24

5.2	Power Supply Management Controller (PSMC)	24
5.2.1	Related Documents	24
5.2.2	Data Speed	25
5.2.3	Bus Errors	25
5.2.4	Write byte/word.....	25
5.2.5	Read byte/word.....	26
5.2.6	Block write/read	26
5.2.7	Sensor Accuracy	27
5.2.8	PSMC Sensors.....	27
5.3	Power Supply Field Replacement Unit (FRU)	27
5.3.1	FRU Data	28
5.3.2	FRU Device protocol.....	28
5.3.3	FRU Signals	28
5.3.4	FRU Data Format	28
6.	SMART ON FUNCTION.....	34
6.1	PMBus command for Smart On.....	34
6.1.1	Hardware Connection	34
6.1.2	Configuring Smart On with SMART_ON_CONFIG (D0h).....	34
6.2	SMART STANDBY POWER SUPPLY OPERATING STATE	35
6.2.1	POWERING ON SMART STANDBY SUPPLIES TO MAINTAIN BEST EFFICIENCY.	35
6.2.2	POWERING ON SMART STANDBY SUPPLIES DURING A FAULT OR OVER CURRENT CONDITION	35
6.3	THE WAY TO ENABLE SMART ON FUNCTION	36
7.	ENVIRONMENTAL.....	36
7.1	Temperature	36
7.2	Humidity.....	36
7.3	Altitude	36
7.4	Vibration	36
7.5	Mechanical Shock	37

7.6	Thermal shock (Shipping)	37
7.7	Catastrophic Failure	37
7.8	EMI.....	37
7.9	Magnetic Leakage Fields.....	37
7.10	Voltage Fluctuations and Flicker.....	37
8.	REGULATORY REQUIREMENTS.....	38
8.1	Product Safety Compliance	38
8.2	Product EMC Compliance – Class A Compliance.....	38
8.3	Maximum AC Leakage current to ground.....	38
8.3.1	Hi-pot.....	39
8.4	Electrostatic Discharge (ESD).....	39
8.5	Certifications / Registrations/ Declarations	39
8.6	Component Regulation Requirements.....	39
8.6.1	Product Ecology Requirement	40
9.	RELIABILITY / WARRANTY / SERVICE.....	41
9.1	Mean Time between Failures (MTBF).....	41
9.2	Warranty.....	41
9.3	Serviceability	41
10.	MISCELLANEOUS.....	42
10.1	Marking.....	42
10.2	Outline Dimensions.....	42
10.2.1	Power Supply Card Edge Dimension	42
10.3	Packing	43
11.	PSMC INTERFACE.....	43
11.1	PMBus Data Formats.....	43

11.2	Power Sensors	43
11.2.1	PAGE Command (00h)	46
11.2.2	Operation Command (01h)	46
11.2.3	ON_OFF_CONFIG Command (02h)	47
11.2.3.1	ON_OFF_CONFIG command operation note	48
11.2.4	CLEAR_FAULTS Command (03h)	48
11.2.5	VOUT_MODE Command (20h)	48
11.2.6	STATUS_WORD Command (79h)	49
11.2.7	STATUS_VOUT Command (7Ah)	49
11.2.8	STATUS_IOUT Command (7Bh)	50
11.2.9	STATUS_INPUT Command (7Ch)	50
11.2.10	STATUS_TEMPERATURE Command (7Dh)	50
11.2.11	STATUS_FAN_1_2 Command (81h)	50
11.2.12	SMART_ON Command(D0h) (Module)	50
11.2.13	Bootloader Function(D6h, D7h, D8h)	51
11.3	Firmware control rules	51
11.3.1	Auto fan control rule	51
11.3.2	LED control rules	51
11.4	Firmware Protection	51

1. REVISION LOG

This section contains the release history of this document:

Date	Revision	Section	Issue
2015/09/01	0.1		Origin
2017/04/27	0.2		Revise 2.2 LED Marking and Identification Revise 3.1.4 Input current Add 3.2.5 Voltage Set Point Add 3.2.10 Maximum load change Revise 3.2.15 Load sharing control Revise 3.4.1 PSON# Input Signal (Power supply enable) Revise 3.4.4 A0 Revise 3.4.5 A1 Revise 4.2 Over Current and Short Circuit Protection Revise 4.3 Over Temperature Protection Add 5.3.3 FRU Signals Revise 5.3.4 FRU Data Format Revise 6.1.1 Hardware Connection Revise 6.1.2 Configuring Smart On with SMART_ON_CONFIG (D0h) Revise 8.3 Maximum AC Leakage current to ground Revise 11.2 Power Sensors Revise 11.2.7 STATUS_VOUT Command (7Ah) Revise 11.2.9 STATUS_INPUT Command (7Ch) Revise 11.3.1 Auto fan control rule Revise 11.3.2 LED control rules Revise 11.4 Firmware Protection

APPROVE	Jerry Tsai	CHECK	Blue Lan	PREPARE	David Wang
---------	------------	-------	----------	---------	------------

2. GENERAL SCOPE

This specification describes the performance characteristic of a 1200W AC-DC or HVDC switching redundant power supply.

2.1 Mechanical Overview

The physical size of the power supply enclosure is intended to accommodate the power range of up to 1200W. The physical size is 39/40mm x 73.5mm x 185mm (height x width x length).

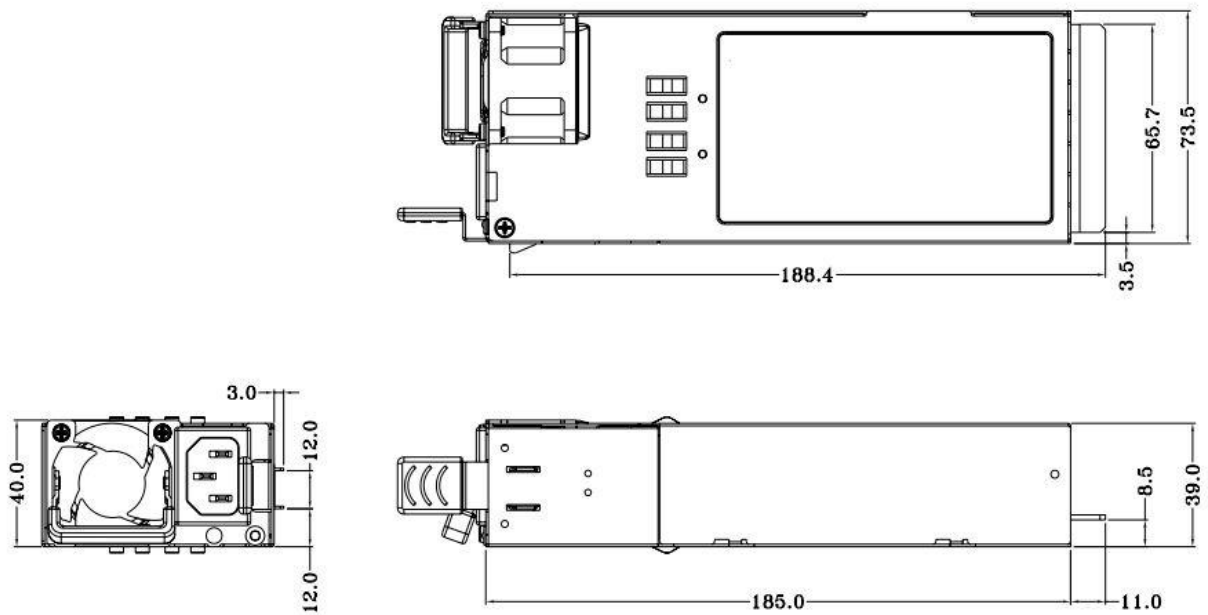


Figure 1 – Power Supply Dimension

2.2 LED Marking and Identification

The power supply shall have LED for indication of the power supply status.

Table 1 – LED Status Information

Power supply condition	Power supply LED
Output ON and OK	Green
No AC power to all PSU	OFF
AC present/only standby output on	1Hz Flashing Green (0.5s:OFF、0.5s: Green)
AC cord unplugged or AC power lost; with a second power supply in parallel still with AC input power.	Amber
Power supply warning events where the power supply continues to operate; high temp, high power, high current, slow fan.	1Hz Blink Amber (0.5s:OFF、0.5s: Amber)
Power supply critical event causing a shutdown; failure, OCP, OVP, Fan Fail	Amber
Smart Redundant state	0.33Hz Blink Green (1s:OFF、2s: Green)
Power supply FW update mode	2Hz Blink Green

2.3 Environmental Requirements

The power supply shall operate within all specified limits over specified conditions in 2.3.

The defined operation condition include temperature, humidity, altitude, shock and vibration.

2.3.1 Temperature and Humidity Requirements

The power supply shall operate within all specified limits over T_{op} temperature range and specified humidity Range. All airflow shall pass through the power supply and not over the exterior surfaces of the power supply.

The power supply shall withstand thermal storage specified in T_{non-OP} without any damage.

Table 2 – Temperature Requirements

Item	Description	MIN	MAX	Unit
T_{OP}	Operating temperature range.	0	50	°C
T_{non-OP}	Non-Operating temperature range.	-40	70	°C
H_{OP}	Operating humidity range, non-condensing		90	%
H_{non-OP}	Non-Operating humidity range, non-condensing		95	%

2.3.2 Altitude Requirements

The power supply shall operate within all specified limits over A_{op} Altitude range. The change pressure condition shall not harm the power supply and the operation within specified regulations shall be assured.

The power supply shall withstand Altitude storage specified in A_{non-OP} without any damage.

Table 3 – Altitude Requirements

Item	Description	MIN	MAX	Unit
A_{OP}	Operating Altitude range.	0	5000	m
A_{non-OP}	Non-Operating Altitude range.	0	15000	m

3. ELECTRICAL PERFORMANCE

3.1 AC power Input Specification

3.1.1 AC Inlet connector

The power supply shall incorporate an AC input connector complying with IEC 320 C-14 power inlet connector specification. This inlet shall be rated for operation at 15A/250VAC.

3.1.2 Input voltage and frequency specification

The power supply shall operate within all specified limits over the following input range. Harmonic distortions of up to 10% of the rated line voltage must not cause the power supply to go out of specified limits.

The power supply shall power off if the AC input is below 75Vac (75-85Vac delay 20 seconds power off) and shall start (auto recover) if AC input is exceed 88Vac.

The power supply shall supply the full output power in the voltage range of 90VAC to 264VAC.

Table 4 – Rated output power for each input voltage range

Parameter	Minimum input	Rated Input	Maximum input
115 VAC	90V _{rms}	100-127V _{rms}	140V _{rms}
230 VAC	180V _{rms}	200-240V _{rms}	264V _{rms}
Frequency	47Hz	50/60Hz	63Hz

3.1.3 HVDC Input voltage

The power supply supports High Voltage Direct Current (HVDC) input. Allowed HVDC input range as shown in below table. The power supply shall operate within all specified limits, when HVDC input meet requirements defined in this chapter.

Table 5 – HVDC input voltage range

Parameter	Minimum input	Rated Input	Maximum input
HVDC	180V	240V	310V

3.1.4 Input current

The maximum input current defines the maximum possible input current to ensure the proper function of the power supply to meet all defined specifications.

Table 6 – Maximum input current

Input voltage	Input current	Max power
90VAC	14.0A	1000W
100-127VAC	12A	1000W
180VAC	8A	1200W
200-240VAC	7A	1200W
264VAC	5.2A	1200W
240-310VDC	6A	1200W

3.1.5 AC Line Fuse

The power supply shall incorporate one input fuse on the line side for input over-current protection to prevent damage to the power supply and meet product safety requirements. AC inrush current shall not cause the AC line fuse to blow under any conditions. All protection circuits in the power supply shall not cause the AC fuse to blow unless a component in the power supply has failed. This includes DC output load short conditions.

3.1.6 AC line inrush

AC line inrush current shall not exceed 55A peak, for up to one-quarter of the AC cycle, after which, the input current should be no more than the specified maximum input current. The peak inrush current shall be less than the ratings of its critical components (including input fuse, bulk rectifiers, and surge limiting device).

The power supply must meet the inrush requirements for any rated AC voltage, during turn on at any phase of AC voltage, during a single cycle AC dropout condition as well as upon recovery after AC dropout of any duration, and over the specified temperature range (Top).

3.1.7 Input Power Factor Correction

The input Power Factor shall be greater than 0.95 at 50% loading (show the below Table 7).

Table 7 – Power Factor Correction

Input voltage	20% loading	50% loading	100% loading
115VAC/60Hz	>0.8	>0.95	0.98
230VAC/50Hz	>0.8	>0.95	0.96

3.1.8 AC line dropout

An AC line dropout is a transient condition defined as the AC input to the power supply drops to 0 VAC at any phase of the AC line for any length of time. During an AC dropout the power supply must meet dynamic voltage regulations requirements. An AC line dropout of any duration shall not cause dripping of the control signals and protection circuits. If the AC dropout lasts longer than the holdup time, the power supply should recover when VAC meets $VAC_{recover}$ and meet all turn on requirements.

A Input dropout of any length shall not cause any damage to the power supply.

Table 8 – Hold-up time until Power output goes out of regulations

Loading	Main output	Standby output
100%	12mS	70mS

3.1.9 Efficiency

The redundant power supply module efficiency should meet at least Climate Saver 3 / 80Plus Platinum rating, specified in below table. The efficiency should be measured at 230VAC and with external fan power according to Climate Saver / 80Plus efficiency measurement specifications (CSCI-09-10)

Table 9 – module efficiency requirements

Efficiency Std.	20% load (12V is 19.4A,12vsb is 0.6A)	50% load (12V is 48.5A,12vsb is 1.5A)	100% load (12V is 97A,12vsb is 3A)
Platinum	90%	94%	91%

3.1.10 Susceptibility Requirements

The power supply shall meet the following electrical immunity requirements when connected to a cage with an external EMI filter, which meets the criteria defined in the SSI document EPS Power Supply Specification.

Table 10 – Performance criteria

Level	Description
A	The apparatus shall continue to operate as intended. No degradation of performance.
B	The apparatus shall continue to operate as intended. No degradation of performance beyond spec. limits.
C	Temporary loss of function is allowed provided the function is self-recoverable or can be restored by the operation of the controls.

3.1.10.1 Electrical Discharge Susceptibility

The power supply shall comply with the limits defined in EN 55024:1998 using the IEC 61000-4-2:1995 test standard and performance criteria B defined in Annex B of CISPR 24.

3.1.10.2 Fast Transient/Burst

The power supply shall comply with the limits defined in EN55024:1998 using the IEC 61000-4-4:1995 test standard and performance criteria B define in Annex B of CISPR 24.

3.1.10.3 Radiated Immunity

The power supply shall comply with the limits defined in EN55024:1998 using the IEC61000-4-3:1995 test standard and performance criteria A defined in Annex B of CISPR 24.

3.1.10.4 Surge Immunity

The power supply shall be tested with the system for immunity to AC Ring wave and AC Unidirectional wave, both up to 2kV(Differential mode 1K,Common mode 2K), per EN55024:1998, EN 61000-4-5:1995 and ANSI C62.45:1992.

The pass criteria include: No unsafe operation is allowed under any condition; all power supply output voltage levels to stay within proper spec levels; No change in operating state or loss of data during and after the test profile; No component damage under any condition.

The power supply shall comply with the limits defined in EN55024:1998 using the IEC 61000-4-5:1995 test standard and performance criteria B defined in Annex B f CISPR 24.

3.1.10.5 AC Line Transient Specification

AC line transient conditions shall be defined as “sag” and “surge” conditions.

“Sag” conditions are also commonly referred to as “brownout”, these conditions will be defined as the AC line voltage dropping below nominal voltage conditions.

“Surge” will be defined to refer to conditions when the AC line voltage rises above nominal voltage.

The power supply shall meet the requirements under the following AC line sag and surge conditions.

Table 11 – AC Line SAG transient performance.

AC Line Sag (10sec interval between each sagging)				
Duration	Sag	Operating AC voltage	Line frequency	Performance criteria
0 to 1/2 AC cycle	95%	Nominal AC voltage	50/60Hz	No loss of function or performance
>1 AC cycles	>30%	Nominal AC voltage	50/60Hz	Loss of function acceptable, self-recoverable

Table 12 – AC Line SURGE transient performance.

AC Line Surge				
Duration	Surge	Operating ac voltage	Line frequency	Performance criteria
Continuous	10%	Nominal AC voltage	50/60Hz	No loss of function or performance
0 to 1/2 AC cycle	30%	mid-point of nominal AC voltage	50/60Hz	No loss of function or performance

3.1.10.6 AC line fast transient (EFT) specification

The power supply shall meet the EN61000-4-5 directive and any additional requirements in IEC1000-4-5:1995 and the level 3 requirements for surge-withstand capability, with the following conditions and exceptions:

- These input transients must not cause any out-of-regulation conditions, such as overshoot and undershoot, nor must it cause any nuisance trips of any of the power supply protection circuits.
- The surge-withstand test must not produce damage to the power supply.
- The supply must meet surge-withstand test conditions under maximum and minimum DC-output load conditions.

3.1.11 Power Recovery

The power supply shall recover automatically (auto recover) after an AC power failure. AC power failure is defined to be any loss of AC power that exceeds the dropout criteria.

3.1.12 Voltage Brown Out

The power supply shall comply with the limits defined in EN55024:1998 using the IEC 61000-4-11:1995 test standard and performance criteria C defined in Annex B of CISPR 24.

In addition the power supply shall meet the following requirements:

A continuous input voltage below the nominal input range shall not damage the power supply or cause overstress to any power supply component. The power supply must be able to return to normal power up state after a brownout (Sag) condition. During brownout test from 120VAC to 0VAC @ 1000W with 3mins ramp, input current shall never exceed fuse and shall not blow the fuse.

3.1.13 AC Line Leakage Current

The maximum leakage current to ground for each power supply shall be 1.75mA when tested at 264VAC/63Hz.

3.2 DC output voltages

3.2.1 Grounding

The output ground of the pins of the power supply provides the output power return path. The ground output at the PCB card edge shall be connected to the safety ground (power supply enclosure). This grounding should be well designed to ensure passing the max allowed Common Mode Noise levels.

The power supply shall be provided with a reliable protective earth ground. All secondary circuits shall be connected to protective earth ground. Resistance of the ground returns to chassis shall not exceed 100 mΩ (Test Conditions 40A for 120sec). This path may be used to carry DC-current.

3.2.2 Output rating

The following table defines the power and current rating of the 1200W power supply. The combined output power of all outputs shall not exceed the rated output power. The power supply must meet both static and dynamic voltage regulation requirements.

Table 13 – Output Power and Current Ratings

Input Voltage	Output	Minimum Current(A)	Maximum Current(A)	Output Power(W)	
90~127Vac	+12V	0.5	80.5	966W	1000W
	+12Vsb	0	3	36W	
180~264Vac	+12V	0.5	97	1164W	1200W
	+12Vsb	0	3	36W	

3.2.3 Auxiliary Output (Standby)

The 12Vsb output shall be present when an AC input greater than V_{recover} is applied.

3.2.4 No load operation

The power supply shall meet all requirements except for the transient loading requirements when operated at no load on all outputs.

3.2.5 Voltage Set Point

Minimum, nominal and maximum output voltage set points for 12V are defined in Table 14 along with the load current for adjustment/measurement of the voltage set point. The measurement of the output voltage accuracy is at the PCB mounting pins of the output mating connectors in the end use system.

Table 14 – Output Voltage regulation

Output	Minimum (V)	Nominal (V)	Maximum (V)	Load at Set Point
+12V	12.20	12.25	12.30	12V/1A, 12Vsb/0A

3.2.6 Voltage Regulation

The power supply shall meet the Voltage regulation under all operating conditions (AC line, transient loading, output loading). These limits include the peak-peak ripple/noise. The regulation of Table 15 shall be measured at the output connector of the power supply, subject to the dynamic loading conditions in paragraph 3.2.7.

Table 15 – Output Voltage regulation

Output	Minimum	Nominal	Maximum	Unit
+12V	11.4	12.0	12.6	Vdc
+12Vsb	11.4	12.0	12.6	Vdc

3.2.7 Ripple and Noise Regulation

Ripple and Noise is defined in table 16. Ripple and Noise shall be measured over a Bandwidth of 20Hz to 20MHz at the power supply output connector. A high frequency 0.1uF capacitor and 10uF tantalum capacitor can be used to terminate each output at the measurement point.

The ripple and noise specification shall be met over all load ranges and AC line voltages with 1+1 power supplies in parallel operation.

Table 16– Ripple and Noise Regulation

Voltage	Ripple/Noise pk-pk
+12V	120mV
+12Vsb	120mV

3.2.8 Dynamic loading

The power supply shall operate within specified limits and meet regulation requirements for step loading and capacitive loading specified below.

The load transient repetition rate shall be tested between 50Hz to 5kHz at duty cycles ranging . The load transient repetition rate is only a test specification. The Δ step load may occur anywhere within the MIN load and the MAX load.

This shall be tested with no additional bulk capacitance added to the load.

Table 17 – Transient Load Requirements

Output	Δ Step size	Slew Rate	Capacitive Load
+12V	60% OF MAX.	0.25A/ μ s	4700 μ F
+12Vsb	1A.	0.25A/ μ s	20 μ F

Note: For dynamic conditions +12V min. loading is 1A.

3.2.9 Capacitive load

The power supply shall operate within specifications over the capacitive loading ranges defined below in table 18.

Table 18 – Capacitive Loading Conditions

Output	Min	Max
+12V	500 μ F	25,000 μ F
+12Vsb	20 μ F	3100 μ F

3.2.10 Maximum load change

The power supply shall continue to operate normally when there is a step change ≤ 1 A/ μ sec. between minimum load and maximum load.

3.2.11 Close loop stability

The power supply shall be unconditionally stable under all line/load/transient load conditions including capacitive load ranges. A minimum of: 45 degrees phase margin and -12dB-gain margin is required.

Closed-loop stability must be ensured at the maximum and minimum loads as applicable.

3.2.12 Residual Voltage Immunity in Standby mode

The power supply should be immune to any residual voltage placed on its outputs (typically a leakage voltage through the system from standby output) up to 500mV. There shall be no additional heat generated nor stressing of any internal components with this voltage applied to any individual or all outputs simultaneously. It also should not trip the protection circuits during turn on/off.

The residual voltage at the power supply outputs for no load condition shall not exceed 100mV when AC voltage is applied.

3.2.13 Soft starting

The power supply shall contain control circuit which provides monotonic soft start for its outputs without overstress of the AC line or any power supply components at any specified AC line or load condition.

3.2.14 Hot Swap Requirements

Hot swapping a power supply is the process of inserting and extracting a power supply from an operating power system. During this process the output voltages shall remain within the limits with the capacitive load specified. The hot swap test must be conducted when the system is operating under static, dynamic, and zero loading conditions. The power supply shall use a latching mechanism to prevent insertion and extraction of the power supply when the AC power cord is inserted into the power supply.

3.2.15 Load sharing control

The +12 V output shall have active load sharing. When operating at 50% of full load, the output current of any 1+1 power supplies shall be within (+/-6.5%). For example, if power supply #1 is operating at 20A, then all other power supplies within the system shall be operating between 18.7A to 21.3A (+/- 6.5% of 20A).

All current sharing functions shall be implemented internal to the power supply by making use of the SBus signal. The power distribution board (Housing Back Plane, for example YH-Part), must connect the SBus signals between the power supplies together. The power supply shall be able to share with up to 1+N supply in parallel.

The failure of a power supply shall not affect the load sharing or output voltages of the other supplies still operating.

The power supplies must be able to load share with 100mV of drop between different power supply's output.

If the load sharing is disabled by shorting the load share bus to ground, the power supply shall continue to operate within regulation limits for loads less than or equal to the rating of one power supply.

Table 19 - Load share bus output characteristics

Item	Description	Min	Nominal	Max	Units
$V_{share}; I_{out}=Max.$	Voltage of load share bus at specified max output current		8		V
$\Delta V_{share}/\Delta I_{out}$	Slope of load share bus voltage with changing load		$8/I_{outmax}$		V/A

3.3 Timing Requirements

These are the timing requirements for the power supply operation. The output voltages must rise from 10% to within regulation limits (T_{vout_rise}) within 5 to 70ms. For 12Vsb, it is allowed to rise from 1 to 25ms. All outputs must rise monotonically. Table below shows the timing requirements for the power supply being turned on and off via the AC input, with PSON held low and the PSON signal, with the AC input applied.

3.3.1 Output Voltage Timing

The timing of signals and outputs are specified in below Table 20 and illustrated in Figure 2.

Table 20 - Turn on/off timing

Turn on	Description	Min	Max	Units
T_{vout_rise}	Output voltage rise time for all main output	5*	70*	ms
$T_{sb_on_delay}$	Delay from AC being applied to 12Vsb being within regulation		1500	ms
$T_{ac_on_delay}$	Delay from AC being applied to all output voltage being within regulation		2500	ms
T_{vout_holdup}	Time all main output 12VI voltages stay within regulation after loss of AC.	13		ms
T_{pwok_holdup}	Delay from loss of AC to de-assertion of PWOK	12		ms
$T_{pson_on_delay}$	Delay from PSON [†] active to output voltages within regulation limits	5	400	ms
T_{pson_pwok}	Delay from PSON [†] deactivate to PWOK being de-asserted.		50	ms
T_{pwok_on}	Delay from output voltage(12V) within regulation limits to PWOK asserted at turn on	100	500	ms
T_{pwok_off}	Delay from PWOK de-asserted to output voltages dropping out of regulation limits.	1		ms
T_{pwok_low}	Duration of PWOK being in the de-asserted state during an off/on cycle using AC or the PSON signal	100		ms
T_{sb_vout}	Delay from 12Vsb being in regulation to main output being in regulation at AC turn on.	50	1000	ms
T_{12Vsb_holdup}	Time the 12Vsb output voltage stays within regulation after loss of AC	70		ms

* T_{vout_rise} : The 12Vsb output rise time shall be 1ms to 25ms.

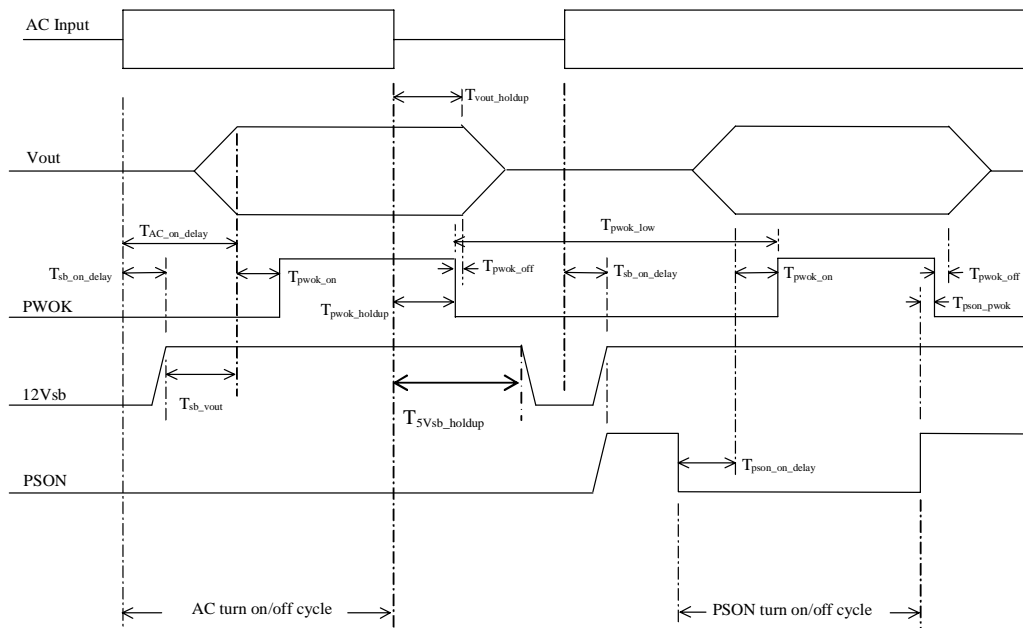


Figure 2 – Turn On/Off Timing (Power Supply Signals)

3.3.2 Overshoot

Any output overshoot at turn on shall be less than 10% of the nominal output value.

3.3.3 Undershoot

Any output shall not undershoot at turn on or off cycle under any circumstances.

3.3.4 Temperature coefficient

After operating for 30 minutes or longer at 25° C ambient, the output voltages shall not change by more than $\pm 0.05\%$ per degree C for any given line and load conditions.

3.4 Control and Indicator functions

The following section define the input and output signals from the power supply.

Signals that can be defined as low true use the following convention:

Signal[#] = low true.

3.4.1 PSON[#] Input Signal (Power supply enable)

The PSON[#] signal is required to remotely turn on/off the main output of the power supply.

PSON[#] is an active low signal that turns on the main output power rail. When this signal is not pulled low by the system or left open, the outputs (except the Standby output) turn off.

PSON[#] is pulled to a standby voltage by a pull-up resistor internal to the power supply.

See Table 21.

Table 21 – PS ON[#] signal characteristics

Signal Type	Pull-up to +3.3V located in the power supply.	
PSON [#] = Low	ON	
PSON [#] = High or Open	OFF	
	MIN	MAX
Logic level low (power supply ON)	0V	1V
Logic level high (power supply OFF)	2.0V	3.46V
Source current, V _{pson} = low		4mA
Power up delay: T _{pson_on_delay}	5ms	400ms
PWOK delay: T _{pson_pwok}		50ms

3.4.2 Power OK (PG or PWOK) Output Signal

PWOK is a power good signal and shall be pulled HIGH by the power supply to indicate that all outputs are within regulation limits. When any output voltage falls below regulation limits, an internal failure or when AC power has been removed for a time sufficiently long, so that power supply operation is no longer guaranteed, PWOK will be de-asserted to a LOW state. The start of the PWOK delay time shall be inhibited as long as any power supply output is in current limit. See Table 22.

Table 22 – PWOK signal characteristics

Signal Type	Open collector/drain output from power supply. Pull-up to +3.3V located in power supply.	
	PWOK=High	Power Good
PWOK=Low	Power Not Good	
	MIN	MAX
Logic level low voltage, $I_{\text{sink}}=4\text{mA}$	0V	0.4V
Logic level high voltage, $I_{\text{source}} = 200\mu\text{A}$	2.4V	3.46V
Sink current, PWOK=low		4mA
Source current, PWOK=high		2mA
PWOK delay: $T_{\text{pwok_on}}$	100ms	1000ms
PWOK rise and fall time		100 μsec
Power down delay: $T_{\text{pwok_off}}$	1ms	200ms

3.4.3 SMBAlert[#] (PSAlert) Output Signal Pin

This signal indicates that the power supply is experiencing a problem that the user should investigate. This shall be asserted due to Critical events or Warning events. The signal shall activate in the case of critical component temperature reached a warning threshold, general failure, over-current, over-voltage, under-voltage, failed fan. See Table 24. This signal may also indicate the power supply is reaching its end of life or is operating in an environment exceeding the specified limits. This signal is to be asserted in parallel with LED turning solid red or blinking red/green. See Table 23.

Table 23 – SMBAlert[#] signal characteristics

Signal Type	Open collector/drain output from power supply. Pull-up to +3.3V located in power supply.	
	Alert [#] =High	Power OK
Alert [#] =Low	Power Alert to system	
	MIN	MAX
Logic level low voltage, $I_{\text{sink}}=4\text{mA}$	0V	0.4V
Logic level high voltage, $I_{\text{source}} = 50\mu\text{A}$	2.4V	3.46V
Sink current, Alert [#] =low		4mA
Source current, Alert [#] =high		2mA
Rise and fall time		100 μsec

3.4.4 A0

PSU Module Address Line 0. This signal line is provided for determining the address for the specific PSU FRU and SMBus address. The pull-up resistor should be located in power supply and the pull-up voltage should be limited to 3.3V. The address line should be pull low with equal to or less than 100ohm in the motherboard design.

Table 26 – A0 signal characteristics

Signal Type	Pull-up to +3.3V located in power supply.	
		MIN
Logic level low voltage, $I_{\text{sink}}=4\text{mA}$	0V	0.66V
Logic level high voltage, $I_{\text{source}} = 50\mu\text{A}$	2.64V	3.46V

3.4.5 A1

PSU Module Address Line 1. This signal line is provided for determining the address for the specific PSU FRU and SMBus address. The pull-up resistor should be located in power supply and the pull-up voltage should be limited to 3.3V. The address line should be pull low with equal to or less than 100ohm in the motherboard design.

Table 27 – A1 signal characteristics

Signal Type	Pull-up to +3.3V located in power supply..	
	MIN	MAX
Logic level low voltage, $I_{\text{sink}}=4\text{mA}$	0V	0.66V
Logic level high voltage, $I_{\text{source}} = 50\mu\text{A}$	2.64V	3.46V

3.4.6 12V_{RS} and Return Sense

The power supply has remote sense return (Return Sense) to regulate out ground drops for all output voltages. The power supply uses remote sense to regulate out drops in the system for the main outputs. The +12V output only uses remote sense with reference to the Return Sense signal. The remote sense input impedance to the power supply must be greater than 10Ω on the main outputs and is 10Ω on Return Sense. These are the values of the resistors connecting the remote senses to the output voltage internal to the power supply. Remote sense is able to regulate out a minimum of 300mV of drop on the +12V output. The remote sense return is able to regulate out drops of 300mV as well. The current in any remote sense line shall be less than 5mA to prevent voltage sensing errors. The power supply operates within specification over the full range of voltage drops from the power supply's output connector to the remote sense points.

3.4.7 Present

This signal is connected to the power supply's output ground.

3.4.8 SDA and SCL

One pin is the serial clock (SCL), and the other pin is used for serial data (SDA). The SCL and SDA signals are pulled up by system, both pins are bi-directional, open drain signals, and are used to form a serial bus

4. Protection circuits

Protection circuits inside the power supply shall cause only the main output to shutdown (latch off). If the power supply latches off due to a protection circuit assert, an Input Power cycle OFF for 15sec or a PSON[#] cycle HIGH for 1sec shall be able to reset the power supply.

Specific protection circuits shall not latch, but auto recover when the latching reason had been cleared. This protection circuits will be written in cursive writing and will have an Auto Recover (Output_{AR}) in the chapter name.

The auxiliary output shall not affected by any protection circuit, unless the auxiliary output itself is affected.

4.1 Over Voltage Protection (OVP_{main} & OVP_{auxiliary AR})

All Over Voltage Condition shall be measured internal to the power supply on all outputs (Main and *Auxiliary Output_{AR}*) at the card edge output. The power supply shall shutdown and latch off after an Over Voltage condition occurs on main outputs, *the auxiliary output shall be auto recover (VsB_{AR}) after the OVP had been removed.*

The voltages never shall exceed the maximum levels specified in below table when measured during any fail.

Table 28 - Over Voltage Protection requirements

Output Voltage	MIN (V)	MAX (V)
+12 V	13.3	14.5
+12Vsb	13.3	14.5

4.2 Over Current and Short Circuit Protection (OCP/SCP_{main} & OCP/SCP_{auxiliary AR})

The Over Current Condition shall be measured internal to the power supply on all outputs (Main and *Auxiliary Output_{AR}*), and preventing outputs to exceed current limits specified in below table. The power supply shall shutoff and *shall be auto recover (VsB_{AR}) after the OCP/SCP had been removed.*

The power supply shall alert the system of the OCP/SCP condition via SMBAlert[#] and fail LED indicator.

The power supply shall not be damaged from repeated power cycling in this condition.

Table 29 – Over Current Protection

Voltage	Over Current Limit (I _{out} limit)
+12 V	<109% , Continue; 110-120% , for 12s 121-150% , for 100ms >150% , immediately
+12Vsb	8A maximum *Total output current continuous shall not exceed 3A

4.3 Over Temperature Protection (OTP_{AR})

The power supply shall have minimum of three thermal sensors to measure the inside environmental (T_{in_env}), primary critical component ($T_{Heatsink_pri}$), and secondary critical component ($T_{Heatsink_sec}$) temperature. The thermal sensors shall be part of a protection circuit to protected against over temperature conditions caused by loss of Table 30 cooling or excessive ambient temperature. In an critical Over temperature condition, specified in below table, the PSU shall be shutdown with the exception of the *auxiliary output* (VsB_{AR}).

The power supply shall alert the system of the *OTP_{AR}* condition via SMBAlert[#] and fail LED indicator. The power supply will auto recover from this condition, when the temperature is dropping within specification again.

Table 30 – Over Temperature Protection_{AR}

Condition	Warning in °C	Critical in °C	Timing for SMBAlert [#] /LED
$T_{Heatsink_pri}$	--	85	1msec
T_{in_env}	60	65	1msec
$T_{Heatsink_sec}$	70	75	1msec

Note: “--” is Not supported

4.4 Fan Failure Protection_{AR}

The power supply shall have a circuit internal to monitor the power supply internal fan. The fan failure protection shall monitor the fan speed and should assert SMBAlert[#] and fail LED signal in case the fan Rotation Per Minute (RPM) drop lower threshold or set PWM Δ as defined in below table.

The protection circuit shall shutoff the main outputs only and let them auto recover when the fan failure had been cleared.

Table 31 – Fan Failure Protection_{AR}

Condition	FAN RPM	Timing for SMBAlert [#] /LED
Critical	1000	1sec

5. Power Supply Management

5.1 Hardware Layer

The serial bus communication devices for Power Supply Management Controller (PSMC) and Field Replacement Unit (FRU) in the power supply shall be compatible with both SMBus 2.0 “high power” and I²C Vdd based power and drive specification.

This bus shall operate at 3.3V but be tolerant to 5V pull-ups. The power supply should not have any internal pull-ups on the SMBus, pull-ups shall be located on system side.

Two pins are allocated on the power supply. One pin is the serial clock (SCL). The second pin is used for serial data (SDA). Both pins are bi-directional and are used to form a serial bus. The device(s) in the power supply shall be located at an address(s) determined by addressing pins A0 and A1 on the power supply module. The circuits inside the power supply shall derive their 3.3V power from the 12Vsb bus through a buffer. Device(s) shall be powered from the system side of the 12Vsb oring device. The pull-up resistors shall be on SCL or SDA inside the power supply.

5.2 Power Supply Management Controller (PSMC)

The PSMC device in the power supply shall derive its power of the 12Vsb output on the system side of the oring device and shall be grounded to return. It shall be compatible with SMBus specification 2.0 and PMBus™ Power System Management Protocol Specification Part I and Part II in Revision 1.2 or later

It shall be located at the address set by the A0 and A1 pins.

Refer to the specification posted on www.ssiforum.org and www.pmbus.org website for details on the power supply monitoring interface requirements and refer to followed section of supported features. The below table reflect the power module addresses complying with the position in the housing.

Table 32 – PSMC Addressing

PDB position and PSMC address	PM1 B0h/B1h	PM2 B2h/B3h
Pin A1/A0	0/0	0/1

5.2.1 Related Documents

- PMBus™ Power System Management Protocol Specification Part I – General Requirements, Transport And Electrical Interface ; Revision 1.1 and 1.2
- PMBus™ Power System Management Protocol Specification Part II – Command Language; Revision 1.1 and 1.2
- System Management Bus (SMBUS) Specification 2.0

5.2.2 Data Speed

The PSMC device in the power supply shall operate at the full 100kbps (100kHz) SMBus speed and avoid using clock stretching that can slow down the bus. For example, the power supply is allowed to clock stretch while parsing a command or servicing multiple interrupts or NACK.

Unsupported commands may respond with a NACK but must always set the communication error status bit in STATUS_CML.

The PSMC may support 400kbps (400kHz) PMBus speed.

5.2.3 Bus Errors

The PSMC shall support SMBus clock-low timeout (T_{timeout}). This capability requires the PSMC to abort any transaction and drop off the bus if it detects the clock being held low for >25ms, and be able to respond to new transactions within 10ms later. The total reset time from detection of the condition till restarted, ready to receive commands condition shall not exceed 35ms.

The device must recognize SMBus START and STOP conditions on ANY clock interval. The PSMC must not hang due to ‘runt clocks’, ‘runt data’, or other out-of-spec bus timing. This is defined as signals, logic-level glitches, setup. Or hold times that are shorter than the minimums specified by the SMBus specifications. The PSMC is not required to operate normally, but must return to normal operation once ‘in spec’ clock and data timing is again received. Note if the PSMC ‘misses’ a clock from the master due to noise or other bus errors, the device must continue to accept ‘in spec’ clocks and NACK. The PSMC is supposed to re-synch with the master on the next START or STOP condition.

5.2.4 Write byte/word

The first byte of a Write Byte/Word access is the command code. The next one or two bytes, respectively, are the data to be written. In this example the master asserts the slave device address followed by the write bit. The device acknowledges and the master delivers the command code. The slave again acknowledges before the master sends the data byte or word (low byte first). The slave acknowledges each byte, and the entire transaction is finished with a STOP condition.

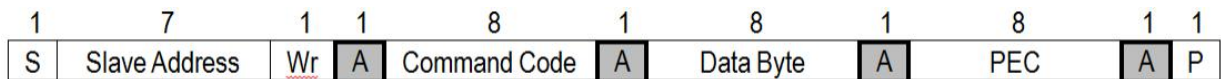


Figure 4 –Write byte protocol with PEC

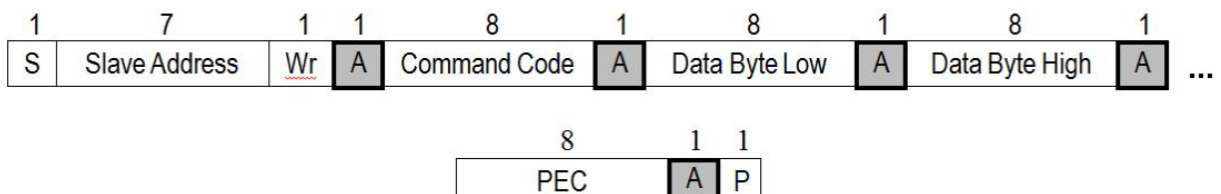


Figure 4 –Write Word Protocol with PEC

5.2.5 Read byte/word

Reading data is slightly more complicated than writing data. First the host must write a command to the slave device. Then it must follow that command with a repeated START condition to denote a read from that device's address. The slave then returns one or two bytes of data.

Note that there is no STOP condition before the repeated START condition, and that a NACK signifies the end of the read transfer.

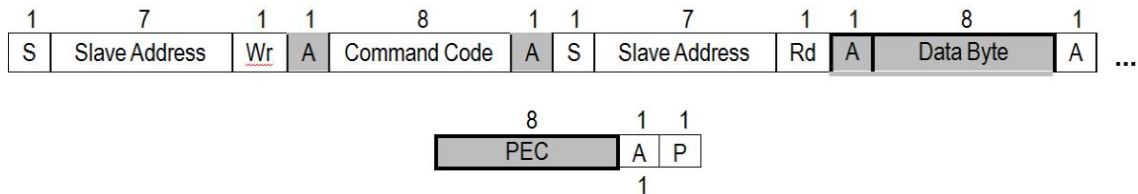


Figure 6 –Read byte protocol with PEC

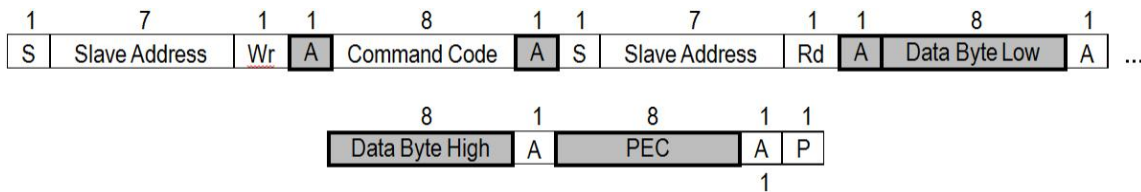


Figure 5–Read word protocol with PEC

5.2.6 Block write/read

The Block Write begins with a slave address and a write condition. After the command code the host issues a byte count which describes how many more bytes will follow in the message. If a slave has 20 bytes to send, the byte count field will have the value 20 (14h), followed by the 20 bytes of data. The byte count does not include the PEC byte. The byte count may not be 0. A Block Read or Write is allowed to transfer a maximum of 32 data bytes.

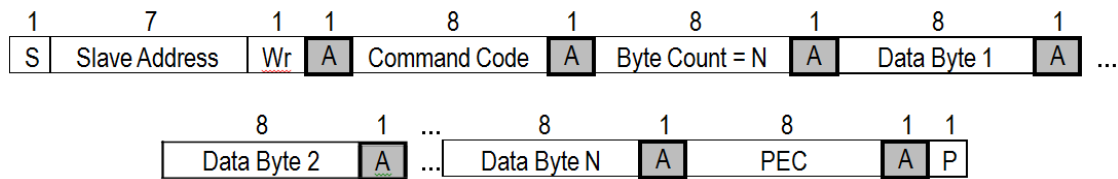


Figure 6 –Block Write with PEC

A Block Read differs from a block write in that the repeated START condition exists to satisfy the requirement for a change in the transfer direction. A NACK immediately preceding the STOP condition signifies the end of the read transfer.

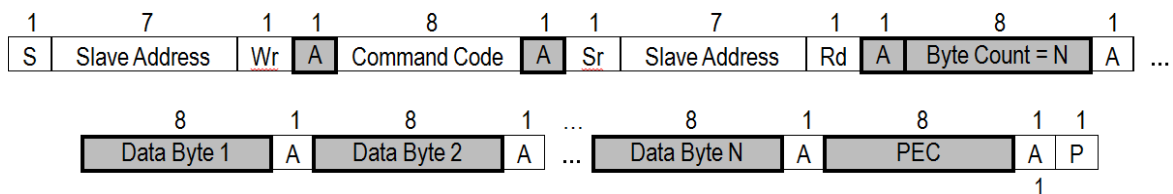


Figure 7 –Block Read with PEC

5.2.7 Sensor Accuracy

The sensor of the PSMC shall meet below accuracy requirements for sensor readings. The accuracy shall be meet at the specified environmental condition and the full range of rated input voltage.

- READ_VIN
- READ_IIN
- READ_VOUT
- READ_IOUT
- READ_POUT
- READ_PIN

Table 33 – Sensor Accuracy

Sensor	< 20% load	> 20% load
Pin / Pout	± 10W	± 5%
Vin / Vout	± 5%	± 5%
Iin / Iout	± 10%	± 5%

5.2.8 PSMC Sensors

Sensors shall be available to the PSMC for monitoring purpose.

All Sensors shall continue to provide real time data as long as the PSMC device is powered.

This means in standby and operation mode, while in standby the main output(s) of the power supply shall read zero Amps and Volts.

Table 34 – PSMC Sensor list

Sensor	Description
V _{input}	Input Voltage
I _{input}	Input Current
P _{input}	Input Power
V _{output_main}	Output Voltage main output
I _{output_main}	Output Current main output
P _{output_main}	Output Power main output
V _{output_aux}	Output Voltage auxiliary output
I _{output_aux}	Output Current auxiliary output
P _{output_aux}	Output Power auxiliary output
T _{comp}	Component Temperature
T _{env}	Environmental Temperature
RPM _{Fan}	Fan Speed reading
PDB _{fail}	PDB fail protection

5.3 Power Supply Field Replacement Unit (FRU)

The power supply shall support electronic access of FRU information over an I²C bus. Six pins at the power supply connector are allocated for this. They are named SCL, SDA, A1, A0 and Write protect. SCL is serial clock. SDA is serial data. These two bidirectional signals from the basic communication lines over the I²C bus. A0 and A1 are input address lines to the power supply. The backplane defines the state of these lines such that the address to the power supply is unique within the system. The resulting I²C address shall be per table below. The Write protection pin is to ensure that data will not accidentally overwritten.

The device used for this shall be powered from a 3.3V bias voltage derived from the +12Vsb output. The pull-up resistors shall be on SCL or SDA inside the power supply.

Table 35 - EEPROM Addressing

PDB position and FRU address	PM1 A0h/A1h	PM2 A2h/A3h
Pin A1/A0	0/0	0/1

5.3.1 FRU Data

The FRU Data format shall be compliant with the IPMI ver. 1.0 (per rev. 1.1 from Sep.25th, 1999) specification. The current version of these specification is available at <http://developer.intel.com/design/servers/ipmi/specs.htm>.

5.3.2 FRU Device protocol

The FRU device will implement the same protocols as the commonly used memory device, including Byte Read, Sequential Read, Byte Write, and Page Read protocols.

5.3.3 FRU Signals

Four pins will be allocated for the FRU information on the Power Supply connector. One pin is the serial clock (SCL). The second pin is used for serial data (SDA). The SCL and SDA signals are pulled up by system, the address lines are also pulled up by system.

Table 36 - FRU Signals

A1	A0	MCU	PSU
0	0	B0	1
0	1	B2	2
1	0	B4	3
1	1	B6	4

5.3.4 FRU Data Format

The information to be contained in the FRU device is shown in the following table.

Item	Address	Byte Value (hex)	Description	Area
0	00H	01	Common Header	Format Version Number
1	01H	00	Internal Use Area	
2	02H	00	Chassis Info Area	
3	03H	00	Board Info Area	
4	04H	01	Product Info Area	
5	05H	0C	Multi Record Info Area	
6	06H	00	PAD Area	
7	07H	F2	Common Header Checksum (Total Of Bytes)	
8	08H	01	Product Area Format Version	Product Information Area
9	09H	0B	Product Area Length	
10	0AH	19	Language Code	
11	0BH	C9	Manufacturer Name type/length byte	

12	0CH	46	Manufacturer Name bytes	F
13	0DH	53	Manufacturer Name bytes	S
14	0EH	50	Manufacturer Name bytes	P
15	0FH	20	Manufacturer Name bytes	
16	10H	47	Manufacturer Name bytes	G
17	11H	52	Manufacturer Name bytes	R
18	12H	4F	Manufacturer Name bytes	O
19	13H	55	Manufacturer Name bytes	U
20	14H	50	Manufacturer Name bytes	P
21	15H	CC	Product Name type/length byte	
22	16H	46	Product Name bytes	F
23	17H	53	Product Name bytes	S
24	18H	50	Product Name bytes	P
25	19H	31	Product Name bytes	1
26	1AH	32	Product Name bytes	2
27	1BH	30	Product Name bytes	0
28	1CH	30	Product Name bytes	0
29	1DH	2D	Product Name bytes	-
30	1EH	32	Product Name bytes	2
31	1FH	30	Product Name bytes	0
32	20H	45	Product Name bytes	E
33	21H	52	Product Name bytes	R
34	22H	4D	Product Name bytes	M
35	23H	CA	Product Part/Model Number type/length byte	
36	24H	20	Product Part Number bytes	Need be consistent with SPEC label
37	25H	20	Product Part Number bytes	Need be consistent with SPEC label
38	26H	20	Product Part Number bytes	Need be consistent with SPEC label
39	27H	20	Product Part Number bytes	Need be consistent with SPEC label
40	28H	20	Product Part Number bytes	Need be consistent with SPEC label
41	29H	20	Product Part Number bytes	Need be consistent with SPEC label
42	2AH	20	Product Part Number bytes	Need be consistent with SPEC label
43	2BH	20	Product Part Number bytes	Need be consistent with SPEC label
44	2CH	20	Product Part Number bytes	Need be consistent with SPEC label
45	2DH	20	Product Part Number bytes	Need be consistent with SPEC label
46	2EH	C2	Product Version type/length byte	
47	2FH	20	Product Version	Need be consistent with BOM
48	30H	20	Product Version	Need be consistent with BOM
49	31H	CC	Product Serial Number type/length byte	
50	32H	20	Product Serial Number bytes	Need be consistent with SPEC label
51	33H	20	Product Serial Number bytes	Need be consistent with SPEC label
52	34H	20	Product Serial Number bytes	Need be consistent with SPEC label
53	35H	20	Product Serial Number bytes	Need be consistent with SPEC label
54	36H	20	Product Serial Number bytes	Need be consistent with SPEC label
55	37H	20	Product Serial Number bytes	Need be consistent with SPEC label
56	38H	20	Product Serial Number bytes	Need be consistent with SPEC label
57	39H	20	Product Serial Number bytes	Need be consistent with SPEC label
58	3AH	20	Product Serial Number bytes	Need be consistent with SPEC label
59	3BH	20	Product Serial Number bytes	Need be consistent with SPEC label
60	3CH	20	Product Serial Number bytes	Need be consistent with SPEC label

61	3DH	20	Product Serial Number bytes	Need be consistent with SPEC label
62	3EH	CA	Asset Tag type/length byte	Production Date
63	3FH	32	Asset Tag	Year
64	40H	30	Asset Tag	Year
65	41H	31	Asset Tag	Year
66	42H	36	Asset Tag	Year
67	43H	2F	Asset Tag	/
68	44H	30	Asset Tag	Month
69	45H	36	Asset Tag	Month
70	46H	2F	Asset Tag	/
71	47H	30	Asset Tag	Day
72	48H	31	Asset Tag	Day
73	49H	D0	FRU File ID type/length byte	
74	4AH	20	FRU File ID bytes.	Need be consistent with SPEC label
75	4BH	20	FRU File ID bytes.	Need be consistent with SPEC label
76	4CH	20	FRU File ID bytes.	Need be consistent with SPEC label
77	4DH	20	FRU File ID bytes.	Need be consistent with SPEC label
78	4EH	20	FRU File ID bytes.	Need be consistent with SPEC label
79	4FH	20	FRU File ID bytes.	Need be consistent with SPEC label
80	50H	20	FRU File ID bytes.	Need be consistent with SPEC label
81	51H	20	FRU File ID bytes.	Need be consistent with SPEC label
82	52H	20	FRU File ID bytes.	Need be consistent with SPEC label
83	53H	20	FRU File ID bytes.	Need be consistent with SPEC label
84	54H	20	FRU File ID bytes.	Need be consistent with SPEC label
85	55H	20	FRU File ID bytes.	Need be consistent with SPEC label
86	56H	20	FRU File ID bytes.	Need be consistent with SPEC label
87	57H	20	FRU File ID bytes.	Need be consistent with SPEC label
88	58H	20	FRU File ID bytes.	Need be consistent with SPEC label
89	59H	20	FRU File ID bytes.	Need be consistent with SPEC label
90	5AH	C1	no more info fields	
91	5BH	00	PAD	
92	5CH	00	PAD	
93	5DH	00	PAD	
94	5EH	00	PAD	
95	5FH	19	Product Info Area Checksum (Sum Of Bytes)	
96	60H	00	Record Type ID	Power Supply Information
97	61H	02	End of List/Record Format Version	
98	62H	18	Record Length	
99	63H	92	Record Checksum (zero checksum)	
100	64H	54	Header Checksum (zero checksum)	
101	65H	B0	Overall Capacity in Watts (LSB)	1200W
102	66H	04	Overall Capacity in Watts (MSB)	1200W
103	67H	FF	Peak VA	
104	68H	FF	Peak VA	
105	69H	37	Inrush current	55A
106	6AH	05	Inrush interval in ms.	5ms
107	6BH	28	Low end Input voltage range 1 (10mV ,LSB)	90V
108	6CH	23	Low end Input voltage range 1 (10mV ,MSB)	90V
109	6DH	20	High end Input voltage range 1 (10mV ,LSB)	264V

110	6EH	67	High end Input voltage range 1 (10mV ,MSB)	264V
111	6FH	00	Low end Input voltage range 2 (10mV ,LSB)	
112	70H	00	Low end Input voltage range 2 (10mV ,MSB)	
113	71H	00	High end Input voltage range 2 (10mV ,LSB)	
114	72H	00	High end Input voltage range 2 (10mV ,MSB)	
115	73H	2F	Low end Input frequency range	47Hz
116	74H	3F	High end Input frequency range	63Hz
117	75H	0C	A/C dropout tolerance in ms	12mS
118	76H	1B	Binary flags	
119	77H	5D	Peak Wattage(LSB)	1200W
120	78H	C2	Peak Wattage(MSB) – Hold up time in seconds	12S
121	79H	00	Combined Wattage	7:4 – Voltage 1 ; 3:0 – Voltage 2
122	7AH	00	Combined Wattage (LSB)	
123	7BH	00	Combined Wattage (MSB)	
124	7CH	0A	Predictive fail tachometer lower threshold (RPS)	
125	7DH	01	Record Type ID	12V Output Record
126	7EH	02	End of List/Record Format Version	
127	7FH	0D	Record Length	
128	80H	EB	Record Checksum (zero checksum)	
129	81H	05	Header Checksum (zero checksum)	
130	82H	01	Output Information	
131	83H	B0	Nominal voltage (10 mV) (LSB)	12.0V
132	84H	04	Nominal voltage (10 mV) (MSB)	12.0V
133	85H	74	Maximum negative voltage (10 mV) (LSB)	11.4V
134	86H	04	Maximum negative voltage (10 mV) (MSB)	11.4V
135	87H	EC	Maximum positive voltage (10 mV) (LSB)	12.6V
136	88H	04	Maximum positive voltage (10 mV) (MSB)	12.6V
137	89H	78	Ripple and Noise (1mV) (LSB)	120mV
138	8AH	00	Ripple and Noise (1mV) (MSB)	120mV
139	8BH	32	Minimum current draw (mA)	500mA
140	8CH	00	Minimum current draw (mA)	500mA
141	8DH	E4	Maximum current draw (mA)	97A
142	8EH	25	Maximum current draw (mA)	97A
143	8FH	01	Record Type ID	12Vsb Output Record
144	90H	82	End of List/Record Format Version	
145	91H	0D	Record Length	
146	92H	4A	Record Checksum (zero checksum)	
147	93H	26	Header Checksum (zero checksum)	
148	94H	82	Output Information	
149	95H	B0	Nominal voltage (10 mV) (LSB)	12.0V
150	96H	04	Nominal voltage (10 mV) (MSB)	12.0V
151	97H	74	Maximum negative voltage (10 mV) (LSB)	11.4V
152	98H	04	Maximum negative voltage (10 mV) (MSB)	11.4V
153	99H	EC	Maximum positive voltage (10 mV) (LSB)	12.6V
154	9AH	04	Maximum positive voltage (10 mV) (MSB)	12.6V
155	9BH	78	Ripple and Noise (1mV) (LSB)	120mV
156	9CH	00	Ripple and Noise (1mV) (MSB)	120mV
157	9DH	64	Minimum current draw (mA)	100mA

158	9EH	00	Minimum current draw (mA)	100mA
159	9FH	B8	Maximum current draw (mA)	3A
160	A0H	0B	Maximum current draw (mA)	3A
161	A1H	FF		
162	A2H	FF		
163	A3H	FF		
164	A4H	FF		
165	A5H	FF		
166	A6H	FF		
167	A7H	FF		
168	A8H	FF		
169	A9H	FF		
170	AAH	FF		
171	ABH	FF		
172	ACH	FF		
173	ADH	FF		
174	AEH	FF		
175	AFH	FF		
176	B0H	FF		
177	B1H	FF		
178	B2H	FF		
179	B3H	FF		
180	B4H	FF		
181	B5H	FF		
182	B6H	FF		
183	B7H	FF		
184	B8H	FF		
185	B9H	FF		
186	BAH	FF		
187	BBH	FF		
188	BCH	FF		
189	BDH	FF		
190	BEH	FF		
191	BFH	FF		
192	C0H	FF		
193	C1H	FF		
194	C2H	FF		
195	C3H	FF		
196	C4H	FF		
197	C5H	FF		
198	C6H	FF		
199	C7H	FF		
200	C8H	FF		
201	C9H	FF		
202	CAH	FF		
203	CBH	FF		
204	CCH	FF		
205	CDH	FF		
206	CEH	FF		

207	CFH	FF		
208	D0H	FF		
209	D1H	FF		
210	D2H	FF		
211	D3H	FF		
212	D4H	FF		
213	D5H	FF		
214	D6H	FF		
215	D7H	FF		
216	D8H	FF		
217	D9H	FF		
218	DAH	FF		
219	DBH	FF		
220	DCH	FF		
221	DDH	FF		
222	DEH	FF		
223	DFH	FF		
224	E0H	FF		
225	E1H	FF		
226	E2H	FF		
227	E3H	FF		
228	E4H	FF		
229	E5H	FF		
230	E6H	FF		
231	E7H	FF		
232	E8H	FF		
233	E9H	FF		
234	EAH	FF		
235	EBH	FF		
236	ECH	FF		
237	EDH	FF		
238	EEH	FF		
239	EFH	FF		
240	F0H	FF		
241	F1H	FF		
242	F2H	FF		
243	F3H	FF		
244	F4H	FF		
245	F5H	FF		
246	F6H	FF		
247	F7H	FF		
248	F8H	FF		
249	F9H	FF		
250	FAH	FF		
251	FBH	FF		
252	FCH	FF		
253	FDH	FF		
254	FEH	FF		
255	FFH	FF		

6. Smart On Function

6.1 PMBus command for Smart On

6.1.1 Hardware Connection

Before enabling Smart On function, make sure pin B22 (SMART ON) on output golden finger of each PSU is connected together. The PSU shall use this to read the values of lower than 0 ~ 0.6 voltage used to determine leave smart standby mode. See Table 36 signal characteristics.

Table 37 – Smart On signal characteristics

Signal Type	Open collector/drain output from power supply. Pull-up to +3.3V located in power supply.	
	MIN	MAX
Logic level low voltage, $I_{sink}=4mA$	0V	0.66V
Logic level high voltage	N/A	N/A

6.1.2 Configuring Smart On with SMART_ON_CONFIG (D0h)

The PMBus manufacturer specific command MFR_SPECIFIC_00 is used to configure the operating state of the power supply related to Smart On. We will call the command SMART_ON_CONFIG (D0h). Below is the definition of the values used with the Read-Write Byte SMBus protocol with PEC.

SMART_ON_CONFIG (D0h)		
Value	State	Description
00h	Standard Redundancy	Turns the power supply ON into standard redundant load sharing mode.
01h	Smart On Active	Defines this power supply to be the one that is always ON in a Smart On configuration.
02h	Smart Standby	Defines the power supply that to turn off (load<36%) in a Smart On configuration and first to turn on (load>40%) as the load increases.

The default state of power supply is in Standard Redundancy mode. Power supply need to be re-specified a state whenever initial power on or any power supply in the system is in fault situation.

The SMART_ON_CONFIG command will reset to 00h (Standard Redundancy) when any fault or over current happened. The faults include AC loss, over hot spot temperature, over ambient temperature, +12V short internally (under voltage), +12V over voltage, fan locked, D2D controller soft-start short.

6.2 Smart Standby Power Supply Operating State

A power supply is put into Smart Standby whenever PSON# is asserted, and SMART_ON_CONFIG value is set to 02h.

In the Smart Standby mode the power supply must:

1. Power ON when Smart_On bus is driven LOW
2. Keep PWOK asserted
3. No PMBus fault or warning conditions reported via STATUS commands
4. keep all fans rolling
5. LED is green blinking

6.2.1 Powering on Smart Standby supplies to maintain best efficiency

Power supplies in Smart Standby state shall monitor the shared voltage level of the load share signal to sense when it needs to power on. Depending upon which position the system defines that power supply to be in the Smart Standby configuration; will slightly change the load share threshold that the power supply shall power on at.

6.2.2 Powering on Smart Standby supplies during a fault or over current condition

Some warnings happen or 12V output shutdown due to any fault. When an active power supply asserts, all parallel power supplies in Smart Standby mode shall power on immediately.

The trigger condition:

1. 12V OC warning/ fault happens
2. 12V OVP fault
3. 12V UVP
4. OTP warning/ fault
5. fan speed warning/ fault
6. AC loss (low than 75V +/-5V)

When an active power supply asserts, all parallel power supplies in Smart Standby mode shall power on immediately.

6.3 The Way to Enable Smart On Function

Here are the steps to put PSU into smart on mode. PSU which is assigned as smart on standby can operate in a power-off state and turn on main power if necessary.

The trigger levels above may have a +/-10% tolerance for actual application.

Step1: Make sure every PSU has AC power cord applied. Use write byte command to set command 0xD0 for each PSU to has its own role (must one PSU as active role).

The command format for Smart On function will be as following example.

B0 in smart_on_active (S B0 w D0 01 PEC P)

B2 in smart_on_standby (S B2 w D0 02 PEC P)

Step2: PSU will enter smart slave mode once the load is lower than the corresponding trigger point.

Step3: If SMART_ON (pin4) signal falls to low, all PSU will turn on the main power and reset smart_config to 0x00 (standard redundancy). System needs to re-assign the roles for all PSU to enable smart on function again.

7. ENVIRONMENTAL

The power supply shall operate normally, and sustain no damage as a result of the environmental conditions listed in this chapter.

7.1 Temperature

Operating Ambient, normal mode (inlet Air): 0°C min/+50°C max at 5000m above sea level.

Operating Ambient, stand-by mode (inlet Air): -5°C min/+50°C max at 5000m above sea level.

Non-operating ambient: -40°C to +70°C (Maximum rate of change shall be 20°C/hr)

7.2 Humidity

Operating: 5% - 90% relative humidity (non-condensing)

Non-operating: 5% - 95% relative humidity (non-condensing)

Note: 95% relative humidity is achieved with a dry bulb temperature of 55°C and a wet bulb temperature of 54°C.

7.3 Altitude

A) Operation : sea level to 5000m

B) Non-Operation : sea level to 15000m

7.4 Vibration

A) Operation : 0.01g²/Hz at 5 Hz sloping to 0.02g²/Hz at 20 Hz, and maintaining 0.02g²/Hz from 20 Hz to 500 Hz. The area under the PSD curve is 3.13gRMS. The duration shall be 20 minutes per axis for all three axes on all samples.

B) Non-Operation :

- **Sine sweep:** 5Hz to 500Hz @ 0.5gRMS at 0.5 octave/min; dwell 15min at each of 3 resonant points;

7.5 Mechanical Shock

A) Operation: 10G, 4.3 mSec, no malfunction

B) Non-operating: 50G Trapezoidal Wave, Velocity change = 4.3m/sec. Three drops in each of six directions are applied to each of the samples.

7.6 Thermal shock (Shipping)

Non-operating: -40°C to +70°C, 50 cycles, 30°C/min. \geq transition time \geq 15°C/min., duration of exposure to temperature extremes for each half cycle shall be 30minutes.

7.7 Catastrophic Failure

The power supply shall be designed to fail without startling noise or excessive smoke.

7.8 EMI

The power supply shall comply with FCC part 15, CRISP 22 and EN55-22; Class A for both conducted and radiated emissions with a 3dB margin. Test shall be conducted using a shielded DC output cable to a shielded load. The load shall be adjusted to 100% load. Test will be performed at 115VAC @ 60Hz and 230VAC @ 50Hz power.

The power supply shall comply with EN55024.

The power supply when installed in the system must meet the following all the immunity requirements when integrated into the end system.

7.9 Magnetic Leakage Fields

The PFC choke magnetic leakage field shall not cause any interference with a high resolution computer monitor placed next to or on top of the chassis.

7.10 Voltage Fluctuations and Flicker

The power supply shall meet the specified limits of EN61000-3-3, for voltage fluctuations and flicker for equipment \leq 16 amps connected to low voltage distribution systems.

8. REGULATORY Requirements

Intended Application – This product was evaluated as Information Technology Equipment (ITE), which may be installed in offices, schools, computer rooms, and similar commercial type locations. The suitability of this product for other product categories and environments (such as: medical, industrial, telecommunications, NEBS, residential, alarm systems, test equipment, etc.) other than ITE application, may require further evaluation.

8.1 Product Safety Compliance

- A) UL 60950-1/CSA 60950-1 Edition 2 (USA/Canada)
- B) EN60950-1 Edition 2 (Europe)
- C) IEC60950-1 Edition 2 (International)
- D) CB Certificate & Report, IEC60950-1 Edition 2 (report to include all country national deviations)
- E) CE – Low Voltage Directive 2006/95/EC (Europe)
- F) GB4943-CBCA Certification (China)

8.2 Product EMC Compliance – Class A Compliance

Note: The product is required to comply with Class A emission, as the system it is built into might be configured with the intend for commercial environment or home use. The Power supply is to have a minimum of 3dB margin to Class A Limits to support FSP's Standard margin requirements.

- A) FCC / ICES-003 Emission (USA/Canada) Verification
- B) CRISP 22 – Emission (International)
- C) EN55022 – Emission (Europe)
- D) EN55024 – Immunity (Europe)
 - EN61000-4-2 Electrostatic Discharge
 - EN61000-4-3 Radiated RFI Immunity
 - EN61000-4-4 Electrical Fast Transients
 - EN61000-4-5 Electrical Surge
 - EN61000-4-6 RF Conducted
 - EN61000-4-8 Power Frequency Magnetic Fields
 - EN61000-4-11 Voltage Dips and Interruptions
- E) EN61000-3-2 – Harmonics (Europe)
- F) EN61000-3-3 – Voltage Flicker (Europe)
- G) CE – EMC Directive 2004/108/EEC (Europe)
- H) JEIDA (Japan)
- I) AS/NZS CISPR 22 (Australia / New Zealand)
- J) GB 9254 2008 (EMC) Certification (China)
- K) GB 17625.1 – (Harmonics) CNCA Certification (China)

8.3 Maximum AC Leakage current to ground

1.75mA max for each power supply at 264Vac.

8.3.1 Hi-pot

The power supply module in the system shall be test at 1800Vac, with a trigger limit of 30mA.

8.4 Electrostatic Discharge (ESD)

In addition to IEC 801-2/ IEC1000-4-2, the following ESD tests shall be conducted. Each surface area of the system under test shall be subjected to twenty (20) successive static discharges, at each of the following voltages: 15kV.

Performance criteria:

- a) All power system output shall continue to operate within the limits of this specification, without glitches or interruption, while the supply is operated as defined and subjected to 2kV through 15kV ESD pulses. The direct ESD event shall not cause any out of regulation condition. The power system shall withstand these tests without nuisance trips.
- b) The power system, while operating as defined, shall not have a component failure when subjected to any discharge voltages up to and including 15kV. Component failure is defined as any malfunction of the power supply caused by component degradation or failure requiring component replacement to correct the problem.

8.5 Certifications / Registrations/ Declarations

- A) UL Certification (US)
- B) CB Certification & Report
- C) TÜV Rheinland (Germany)
- D) CE Declaration of Conformity (CENELEC Europe)
- E) CCC / CNCA Certification (China)

8.6 Component Regulation Requirements

1. All Fans shall have the minimum certifications: UL and TÜV or VDE
2. All current limiting devices shall have UL and TÜV or VDE certifications and shall be suitable rated for the application where the device In its application complies with IEC60950.
3. All printed wiring boards shall be rated UL94V-0 and be sourced from a UL approved printing wiring board manufacturer.
4. All connectors shall be UL recognized and have a UL flame rating of UL94V-0
5. All wiring harnesses shall be sourced from a UL approved wiring harness manufacturer.
SELV cable to be rated minimum 80V @ 120°C
6. Product safety label must be printed on UL approved label stock and printer ribbon.
Alternatively labels can be purchased from a UL approved label manufacturer.
7. The product must be marked with the correct regulatory markings to support the certifications that are specified in this document.

8.6.1 Product Ecology Requirement

All materials, parts and subassemblies must not contain restricted materials as defined in directive 2002/95/EC, Restriction of Hazardous Substances (RoHS) 6/6.

All cords and cables shall contain <100ppm of cadmium.

All packing materials must be marked with applicable recycling logos for Europe (green dot) and Japan (Eco-marks), if sold as a retail product. All packing materials shall be recyclable.

9. Reliability / Warranty / Service

9.1 Mean Time between Failures (MTBF)

The power supply shall have a minimum MTBF at continuous operation of 200,000 hours calculated at 100%, according to BELL CORE TR-322 at 25°C excluding the Fan MTBF, and at least 100,000 hours including the fan MTBF.

9.2 Warranty

The Warranty for the power supply is 36 months (three years) from production date code.

9.3 Serviceability

No troubleshooting by maintenance personnel is to be performed. Units shall be returned to FSP Power for any troubleshooting, unless agreed by both parties.

The power supply will lose warranty if opened other than FSP service personal or agreed by both parties.

10. MISCELLANEOUS

10.1 Marking

The Power Supply shall carry labels defined in this section.

10.2 Outline Dimensions

The Power Supply module shall have the dimension 39/40mm x 73.5mm x 185mm (HxWxL) without the card edge.

10.2.1 Power Supply Card Edge Dimension

The Power Supply Card Edge shall comply with below specification.

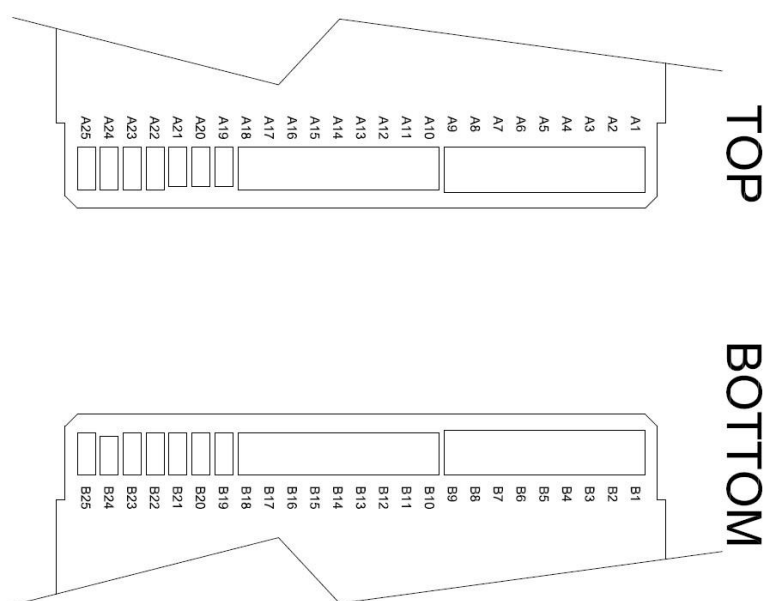


Figure 8 – Card Edge Dimension

Pin Name	Signal Name	Function
A1 ~ A9	GND	+12V return
B1 ~ B9	GND	+12V return
A10 ~ A18	Main Output	+12V
B10 ~ B18	Main Output	+12V
A19	SDA	I ² C Data signal
A20	SCL	I ² C Clock signal
A21	PSON	Power enable input
A22	SMB_Alert	SMB_Alert for failure notification
A23	Return Sense	+12V RTN Sense
A24	+12V Remote Sense	+12VS
A25	PWOK	Power OK output
B19	A0	I ² C address bit 0
B20	A1	I ² C address bit 1
B21	Standby_Output	+12Vsb
B22	Smart ON	Smart ON
B23	SBus	+12V Main output Current share bus
B24	Present	GND
B25	Reserve	Reserve

10.3 Packing

The Power Supply should be packed according to the description in this chapter.

The Packing for the power supply should be recyclable and has no metal parts to hold the packing.

11. PSMC Interface

Following Chapter provide details information of the utilized PSMC Interface protocol utilized. The Interface protocol can be recognized by its ID.

By Default the PMBus shall be utilized to achieve the best compatibility with current applications.

A customization of the PSMC Interface is possible and would accordingly reflected in a different FW ID and different specification compared to the PMBus ones.

11.1 PMBus Data Formats

The Linear Data Format is a two byte value with:

An 11 bit, two's complement mantissa and

A 5 bit, two's complement exponent (scaling factor).

The format of the two data bytes is illustrated in Figure 9

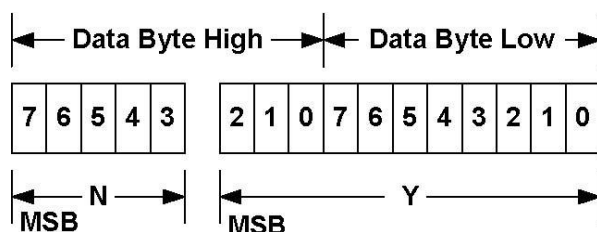


Figure 9. Linear Data Format Data Bytes

The relation between Y, N and the “real world” value is:

$$X = Y \cdot 2^N$$

Where, as described above:

X is the “real world” value being communicated

Y is an 11 bit, two's complement integer; and

N is a 5 bit, two's complement integer.

Devices that use the Linear format must accept and be able to process any value of N.

11.2 Power Sensors

The following PMBus commands shall be supported for the purpose of monitoring currents, voltages, and power. All sensors shall continue providing real time data as long as the PMBus device is powered. This means in standby mode the main output(s) of the power supply shall be zero amps and zero volts.

Table 37 – PMBus Command Summary supported

Command Code	Name	Type	Bytes	Value	Conditions
00h	PAGE	R/W	1		
01h	OPERATION	R/W	1		
02h	ON_OFF_CONFIG	R/W	1		
03h	CLEAR_FAULTS	Send Byte	0		
05h	PAGE_PLUS_WRITE	Block W			
06h	PAGE_PLUS_READ	BW-BR process call			
19h	CAPABILITY	R	1	90h	
1Ah	QUERY	BW-BR process call			
1Bh	SMBALERT_MASK	BW-BR process call	2		
20h	VOUT_MODE	R	1	17h	
30h	COEFFICIENTS	BW-BR process call	5		
3Ah	FAN_CONFIG_1_2	R/W	1	C0h	Fan 1 is command in RPM
3Bh	FAN_COMMAND_1	R/W	2		
4Ah	IOUT_OC_WARN_LIMIT	R/W	2	101.8A	
51h	OT_WARN_LIMIT	R/W	2	60°C	Warning for Ambient
79h	STATUS_WORD	R	2		
7Ah	STATUS_VOUT	R	1		
7Bh	STATUS_IOUT	R	1		
7Ch	STATUS_INPUT	R	1		
7Dh	STATUS_TEMPERATURE	R	1		
80h	INPUT_TYPE	R	1		00:NO input; 01:AC input 02:HVDC input
81h	STATUS_FANS_1_2	R	1		
86h	READ_EIN	Block R	6		
87h	READ_EOUT	Block R	6		
88h	READ_VIN	R	2		
89h	READ_IIN	R	2		
8Bh	READ_VOUT	R	2		
8Ch	READ_IOUT	R	2		
8Dh	READ_TEMPERATURE_1	R	2		Ambient
8Eh	READ_TEMPERATURE_2	R	2		Secondary Hot spot t
8Fh	READ_TEMPERATURE_3	R	2		Primary Hot spot
90h	READ_FAN_SPEED_1	R	2		In Fan RPM

96h	READ_POUT	R	2		
97h	READ_PIN	R	2		
98h	PMBUS_REVISION	R	1	22h	PMBus 1.2
99h	MFR_ID	Block R	9	FSP-GROUP	
9Ah	MFR_MODEL	Block R	12	FSP1200-ERM	
A0h	MFR_VIN_MIN	Block R	2	90V	
A1h	MFR_VIN_MAX	Block R	2	264V	
A2h	MFR_IIN_MAX	Block R	2	14A	
A3h	MFR_PIN_MAX	Block R	2	1320W	
A4h	MFR_VOUT_MIN	Block R	2	11.4V	
A5h	MFR_VOUT_MAX	Block R	2	12.6V	
A6h	MFR_IOUT_MAX	Block R	2	100A	
A7h	MFR_POUT_MAX	Block R	2	1200W	
A8h	MFR_TAMBIENT_MAX	Block R	2	50°C	Max Operat Temp
A9h	MFR_TAMBIENT_MIN	Block R	2	0°C	Min Operat Temp
AAh	MFR_EFFICIENCY_LL	Block R	14	90%/94%/91%	At 20%/50%/100% load
ABh	MFR_EFFICIENCY_HL	Block R	14	90%/94%/91%	At 20%/50%/100% load
C0h	MFR_MAX_TEMP_1	Block R	2	65°C	Fault for Ambient
C1h	MFR_MAX_TEMP_2	Block R	2	75°C	Fault for Hotspot
C2h	MFR_MAX_TEMP_3	Block R	2	85°C	Fault for PFC
D0h	SMART_ON_CONFIG	R/W	1		
D1h	MFR_FAN_DUTY	R	2		In Fan Duty
D2h	MFR_PART_NUMBER				
D5h	PFC_BOOTLOADER COMMAND	Block W			For FW boot loader
D6h	BOOTLOADER COMMAND	Block W			For FW boot loader
D7h	BOOTLOADER OPERTAION	W	1		For FW boot loader
D8h	BOOTLOADER CHECK SUM	R	1		For FW boot loader
D9h	MFR_EEPROM_WRITE	Block W			
E6h	MFR_FW_ID	Block R	16		9M.SA03.XXXX.XXX
E7h	MFR_FW_DATE	Block R	8		
E8h	METER_FW_ID	Block R	16		9M.PA06.XXXX.XXX
E9h	METER_FW_DATE	Block R	8		
F4h	MFR_CAL_INPUT	BW-BR			
F5h	CALIBRATION OUTPUT CURRENT_1	R			
F6h	CALIBRATION OUTPUT CURRENT_2	R			
F7h	CALIBRATION OUTPUT CURRENT_3	W	1		

11.2.1 PAGE Command (00h)

Page member :

READ_IOUT

READ_VOUT

STATUS_IOUT

STATUS_VOUT

IOUT_OC_WARN_LIMIT

Page list :

PAGE	OUTPUT	Description
00h	12v1	Supported, Default for single 12v output
01h	12v2	--
02h	12v3	--
03h	12v4	--
04h	12v5	--
05h	12v6	--
06h-0fh	Reserved	--
10h	5v	--
11h	3.3v	--
12h-1fh	Reserved	--
20h	5vsb	--
21h	3.3vsb	--
22h	-12v	--
23h	12vsb	Supported.
24h-2fh	Reserved	--
30h	48v	--
31h	24v	--
32h-3fh	Reserved	--

Note: "--" is Not supported**11.2.2 Operation Command (01h)****Operation Notice :**

This function is only supported for module operation only without PDB.

If utilized while inserted in a PDB without function support, utilization of this function might cause Unexpected side effects.

Operation command Default Value is 0x80h.

Bits [7:6]	Bits [5:4]	Bits [3:2]	Bits [1:0]	Unit On Or Off	Margin State	Description	Supported
00	XX	XX	XX	Immediate Off (No Sequencing)	N/A	Immediate turn-off	Ok
01	XX	XX	XX	Soft Off (With Sequencing)	N/A	turn-off delay and fall time	--
10	00	XX	XX	On (turn-on)	Off	Immediate turn-on	Ok
10	01	01	XX	On	Margin Low (Ignore Fault)	Margin Low (Ignore Fault)	--
10	01	10	XX	On	Margin Low (Act On Fault)	Margin Low (Act On Fault)	--
10	10	01	XX	On	Margin High (Ignore Fault)	Margin High (Ignore Fault)	--
10	10	10	XX	On	Margin High (Act On Fault)	Margin High (Act On Fault)	--

Note: "--" is Not supported

11.2.3 ON_OFF_CONFIG Command (02h)

Operation Notice :

This function is only supported for module operation only without PDB.

If utilized while inserted in a PDB without function support, utilization of this function might cause Unexpected side effects.

ONOFF_CONFIG command Default value is 0x15h.

Bit	Purpose	Bit Value	Meaning	Default value	Supported
7:5	Reserved	Reserved	Reserved	Reserved	Reserved
4	Sets the default to either operate any time power is present or for the on/off to be controlled by CONTROL pin and serial bus commands	0	Unit powers up any time power is present regardless of state of the CONTROL pin	1	Ok
		1	Unit does not power up until commanded by the CONTROL pin and OPERATION command (as programmed in bits [3:0]).		
3	Controls how the unit responds to commands received via the serial bus	0	Unit ignores the on/off portion of the OPERATION command from serial bus	0	Ok
		1	To start, the unit requires that that the on/off portion of the OPERATION command is instructing the unit to run. Depending on bit [2], the unit may also require the CONTROL pin to be asserted for the unit to start and energize the output.		
2	Controls how the unit responds to the CONTROL pin	0	Unit ignores the CONTROL pin (on/off controlled only the OPERATION command)	1	Ok
		1	Unit requires the CONTROL pin to be asserted to start the unit. Depending on bit [3], the OPERATION command may also be required to instruct the device to start before the output is energized.		
1	Polarity of the CONTROL pin	0	Active low (Pull pin low to start the unit)	0	--
		1	Active high (Pull high to start the unit)		
0	CONTROL pin action when commanding the unit to turn off	0	Use the programmed turn off delay (Section 16.5) and fall time (Section 16.6)	1	--
		1	Turn off the output and stop transferring energy to the output as fast as possible. The device's product literature shall specify whether or not the device sinks current to decrease the output voltage fall time.		

Note: "--" is Not supported

11.2.3.1 ON_OFF_CONFIG command operation note

Setting type	Bit 4	Bit 3	Bit 2	Bit 1	Bit 0	Data value	Description[1]	Supported
1	0	X	X	X	0	0x00	If AC ok, turn-on power + DLY	--
2	0	X	X	X	1	0x01	If AC ok, turn-off power	OK
3	1	0	0	X	X	0x10	null	--
4	1	0	1	0	0	0x14	HW + LO + DLY	--
5	1	0	1	0	1	0x15	HW + LO	OK
6	1	0	1	1	0	0x16	HW + HI + DLY	--
7	1	0	1	1	1	0x17	HW + HI	--
8	1	1	0	X	0	0x18	SW + DLY	--
9	1	1	0	X	1	0x19	SW	OK
10	1	1	1	0	0	0x1C	HW + LO + SW + DLY	--
11	1	1	1	0	1	0x1D	HW + LO + SW	OK
12	1	1	1	1	0	0x1E	HW + HI + SW + DLY	--
13	1	1	1	1	1	0x1F	HW + HI + SW	--

Note: "--" is Not supported

[1]:

X = don't care

HW = turn-on/off by control pin

HI = control pin active high turn-on power

LO = control pin active low turn-on power

SW = turn-on/off by operation command

DLY = turn-off delay

11.2.4 CLEAR_FAULTS Command (03h)

Operation Notice :

Null.

Power clear faults methods

The Power have four methods can be clear PMBus faults.

Method	Description
1	PMBus clear faults command
2	PMBus operation RESET[1]
3	PS RESET[1]
4	AC RESET[1]

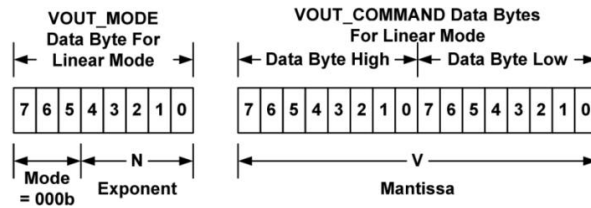
[1] : RESET mean is Turn-OFF → Turn-ON

11.2.5 VOUT_MODE Command (20h)

The data bytes for the VOUT_MODE and VOUT_COMMAND when using the Linear voltage data format are shown in Figure .

Note that the VOUT_MODE command is sent separately from output voltage related commands and only when the output voltage format changes.

VOUT_MODE is not sent every time an output voltage command is sent.



The Mode bits are set to 000b. The Voltage, in volts, is calculated from the equation:

$$\text{Voltage} = V \cdot 2^N$$

Where:

Voltage is the parameter of interest in volts;

V is a 16 bit unsigned binary integer; and

N is a 5 bit two's complement binary integer.

11.2.6 STATUS_WORD Command (79h)

Byte	Bit Number	Status Bit Name	Meaning	Supported
Low	7	BUSY	A fault was declared because the device was busy and unable to respond.	--
	6	OFF	This bit is asserted if the unit is not providing power to the output, regardless of the reason, including simply not being enabled.	Ok
	5	VOUT_OV	An output overvoltage fault has occurred	Ok
	4	IOUT_OC	An output overcurrent fault has occurred	Ok
	3	VIN_UV	An input under voltage fault has occurred	Ok
	2	TEMPERATURE	A temperature fault or warning has occurred	Ok
	1	CML	A communications, memory or logic fault has occurred	--
	0	NONE OF THE ABOVE	A fault or warning not listed in bits [7:1] of this byte has occurred	--
High	7	VOUT	An output voltage fault or warning has occurred	Ok
	6	IOUT/POUT	An output current or output power fault or warning has occurred	Ok
	5	INPUT	An input voltage, input current, or input power fault or warning has occurred	Ok
	4	Frequency	Frequency fault or warning has occurred	Ok
	3	POWER_GOOD#	The POWER_GOOD signal, if present, is negated	Ok
	2	FANS	A fan or airflow fault or warning has occurred	Ok
	1	OTHER	A bit in STATUS_OTHER is set	--
	0	UNKNOWN	A fault type not given in bits [15:1] of the STATUS_WORD has been detected	--

Note: "--" is Not supported

11.2.7 STATUS_VOUT Command (7Ah)

Bit	Meaning	Supported
7	VOUT Over voltage Fault	Ok
6	VOUT Over voltage Warning	Ok
5	VOUT Under voltage Warning	Ok
4	VOUT Under voltage Fault	Ok
3	VOUT_MAX Warning (An attempt has been made to set the output voltage to value higher than allowed by the VOUT_MAX command)	--
2	TON_MAX_FAULT	--
1	TOFF_MAX Warning	--
0	VOUT Tracking Error	--

Note: "--" is Not supported

11.2.8 STATUS_IOUT Command (7Bh)

Bit	Meaning	Supported
7	IOUT Over current Fault	Ok
6	IOUT Over current And Low Voltage Shutdown Fault	--
5	IOUT Over current Warning	Ok
4	IOUT Under current Fault	--
3	Current Share Fault	--
2	Power Limiting	--
1	POUT Over power Fault	--
0	POUT Over power Warning	--

Note: "--" is Not supported

11.2.9 STATUS_INPUT Command (7Ch)

Bit	Meaning	Supported
7	VIN Over voltage Fault	Ok
6	VIN Over voltage Warning	Ok
5	VIN Under voltage Warning (75VAC ~ 85VAC)	Ok
4	VIN Under voltage Fault (< 75VAC)	Ok
3	Unit Is Off For Insufficient Input Voltage	--
2	IIN Over current Fault	--
1	IIN Over current Warning	--
0	PIN Over power Warning	--

Note: "--" is Not supported

11.2.10 STATUS_TEMPERATURE Command (7Dh)

Bit	Meaning	Supported
7	Over temperature Fault	Ok
6	Over temperature Warning	Ok
5	Under temperature Warning	--
4	Under temperature Fault	--
3	Reserved	
2	Reserved	
1	Reserved	
0	Reserved	

Note: "--" is Not supported

11.2.11 STATUS_FAN_1_2 Command (81h)

Bit	Meaning	Supported
7	Fan 1 Fault	Ok
6	Fan 2 Fault	--
5	Fan 1 Warning	Ok
4	Fan 2 Warning	--
3	Fan 1 Speed Overridden	Ok
2	Fan 2 Speed Overridden	--
1	Airflow Fault	--
0	Airflow Warning	--

Note: "--" is Not supported

11.2.12 SMART_ON Command(D0h) (Module)

Value	State	Description
00h	Redundancy Mode	Turns the power supply ON into standard redundant load sharing mode.
01h	Active Mode	Defines this power supply is always ON in SMART ON configuration.
02h	Standby Mode	Defines the power supply that to turn off in a Smart On configuration and to turn on as the load increases.

11.2.13 Bootloader Function(D6h, D7h, D8h)

Command	Operation	Function
D6h	00	Enter boot mode
	01	Enter user mode
D7h	00	Write hex data
	01	Erase hex data
D8h		Read hex data checksum

Bootloader Flow:

STEP 1	0xB0 0xD6 0x01	Boot mode command
STEP 2	0xB0 0xD7 0x01	Erase RAM command
STEP 3	Wait 2000ms	Erase Time
STEP 4 STEP 5 STEP 6 Replay 4~6 STEP	0xB0 0xD7 0x00 Wait 1ms 32 bytes data	Write command Wait 1ms Write Data
STEP 7	Consecutive 32 data is 0xFF	Write to finish
STEP 8	Wait 140ms	Wait 140ms
STEP 9	0xB0 0xD6 0x00	Go to User mode
STEP 10	0xB0 0x00 0x00	Go to User mode
STEP 12	Wait 2000ms	Go to User mode Time
STEP 13	Read 0xB0 0xD8	Verify Checksum
		Finish

11.3 Firmware control rules**11.3.1 Auto fan control rule**

1. Temperature and load control Fan speed

$$\text{Fan} = 3000 + [(130 - \text{Vac}) * 100] + [(T - 25) * 300] + [(T - 40) * 150] + [(I - 10) * 180]$$

11.3.2 LED control rules

Event	Green led	Amber led
No AC power plug in.	OFF	OFF
AC ok + power turn-off.	Every 0.5sec blink once.	OFF
AC ok + power turn-on, no failure event.	ON	OFF
AC ok + power turn-on, failure event.	OFF	ON
AC ok + power turn-on, warning event.	Green and Amber led on every 0.5sec exchange of blink.	Green and Amber led on every 0.5sec exchange of blink.

11.4 Firmware Protection

1. Vout Over Voltage

Output voltage	Warning threshold	Protect threshold
12V	13.2V	13.8V

2. Vout Under Voltage

Output voltage	Warning threshold	Protect threshold
----------------	-------------------	-------------------

12V	10.8V	9V
-----	-------	----

3. Vin Over Voltage

Input voltage	Warning threshold	Protect threshold	Re-start threshold
90Vac ~ 264Vac	310Vac ±5V	320Vac ±5V	300Vac ±5V
180Vdc ~ 310Vdc	340Vdc ±5V	350Vdc ±5V	330Vdc ±5V

4. Vin Under Voltage

Input voltage	Warning threshold	Protect threshold	Re-start threshold
90Vac ~ 264Vac	85Vac ±5V	75Vac ±5V	85V ±4V
180Vdc ~ 310Vdc	--	165Vdc ±5V	175Vdc ±4V

5. Iout Over Current

Output voltage	90~127Vac Warning threshold	180~264Vac Warning threshold
12V	84.5A	101.8A
Output voltage	Protect threshold	Protect threshold
12V	<87.7A , Continue; 88.5-96.6A , for 12S; 97.4-120.7A , for 100mS; >120.7A , for <20mS	<105.7A , Continue; 106.7-116.4A , for 12S; 117.3-145.5A , for 100mS; >145.5A , for <20mS
12Vsb	8A maximum	

*Total 12Vsb output current continuous shall not exceed 3A

6. Over Temperature

Temperature1 : Power inside Environmental temperature

Temperature2 : Power secondary heat sink temperature

Temperature3 : Power primary heat sink temperature

	Warning threshold	Protect threshold
Temperature 1	60°C	65°C
Temperature 2	70°C	75°C
Temperature 3	--	85°C

7. Over Temperature Re-start

	Re-start temperature
Temperature 1	55°C
Temperature 2	50°C
Temperature 3	65°C

8. AC/DC Input Turn On/Turn Off Voltage

	Vin Turn On	Vin Turn Off
AC Vin	85V ±4V	75V ±5V
DC Vin	175V ±4V	165V ±5V

9. Fan Speed Under Protection

	Warning threshold	Protect threshold
Fan 1	1500rpm	1000rpm