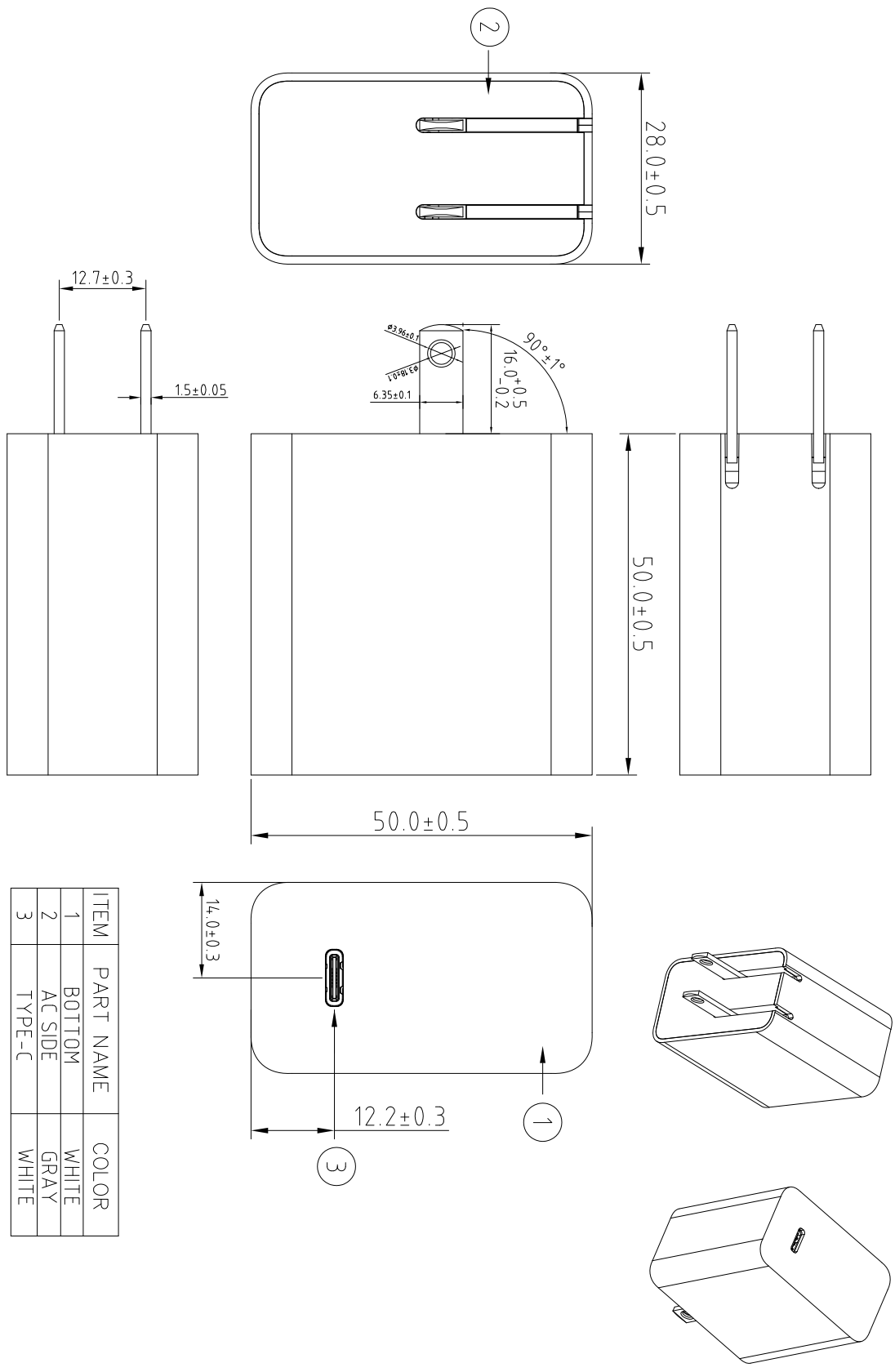


外觀圖





ITEM	PART NAME	COLOR
1	BOTTOM	WHITE
2	AC SIDE	GRAY
3	TYPE-C	WHITE



DIMENSIONAL TOLERANCES		HOLES		ANGLES	
(V)		()		()	
<30	±:0.2	UP~50	±:0.15	UP~60	±:1.5
>30~100	±:0.3	50~100	±:0.25	60~90	±:2.4
>100~200	±:0.4	100~150	±:0.25	90~OVER	±:3.1
>200~300	±:0.5	150~200	±:0.3		
ABOVE 300	±:0.8	200~250	±:0.35		

SCALE:
UNIT: mm

MODEL NO: FSP045-A1UP3		TITLE: Physical Dimension		P/N: 9NA0453100	
R&D3 Division		PE		DRAWN	
L.J		MATISSE		MATISSE	
INTERIOR COUNTERSIGN:				DATE	
				2018-7-25	
				SHEET: 1 OF 1 REV: 01	

Mechanical Drawing (外觀/機構圖)